

Article datasheet

Hexagon Head Screw ISO4017 M6x12 Steel 8.8 Zinc Plated

Article-No.: 001.13.651



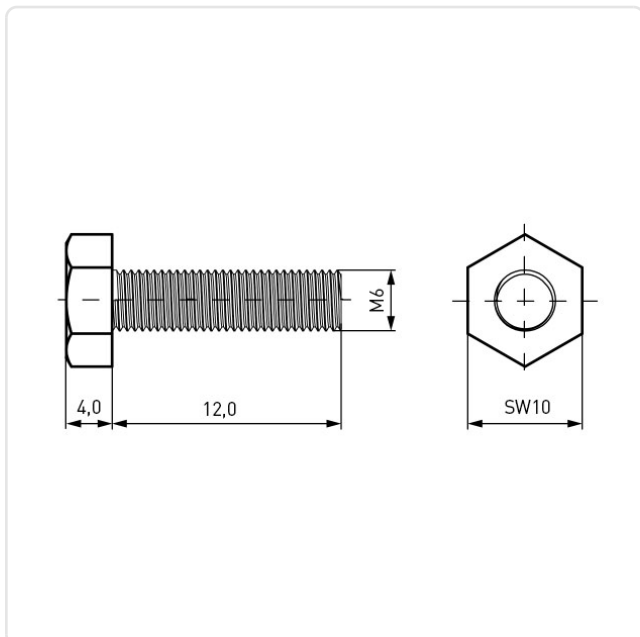
Image may be similar

Actuator Size:	Hexagon Hex10
DIN/ISO:	ISO4017
Drive Type:	Hexagon
Finish:	Galvanized, Blue, 5 µm, A2K
Head Diameter [mm]:	10
Head Height [mm]:	4
Head Shape:	Hexagon Head
Length [mm]:	12
Material:	8.8
Material Group:	NULL
Thread Size:	M6
Weight:	4.52g
Conformities:	



You can find all information on the web on our article detail page

[Hexagon Head Screw ISO4017 M6x12 Steel 8.8 Zinc Plated](#)



Would you like individual advice?

We look forward to your email to products@ettinger.de.

Subject to change and errors.