

Article datasheet

Strip Header 1x 50 pole 17.7mm Brass tinned pitch 2.54mm

Article-No.: 021.64.505



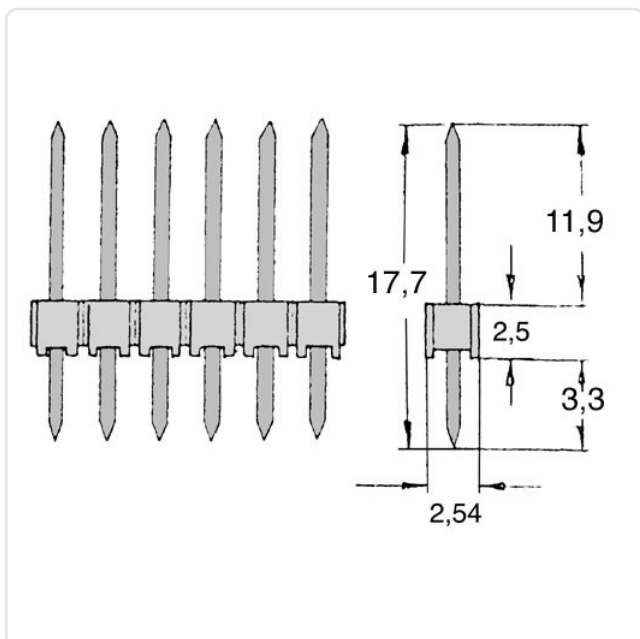
Image may be similar

Finish: Tin-Plated
 Grid [mm]: 2.54
 Material: Brass
 Material Group: Brass
 Plug-In Length [mm]: 11.9
 Weight: 4.5g
 Conformities:



You can find all information on the web on our article detail page

[Strip Header 1x 50 pole 17.7mm Brass tinned pitch 2.54mm](#)



Would you like individual advice?

We look forward to your email to products@ettinger.de.

Subject to change and errors.