

Article datasheet

Round Spacer Ø3.2/6.6 x 4.75 PA 6.6 natural Snap-In

Article-No.: 007.91.604

Manufacturer: Keystone Electronics

Manufacturer article-no.: 8830



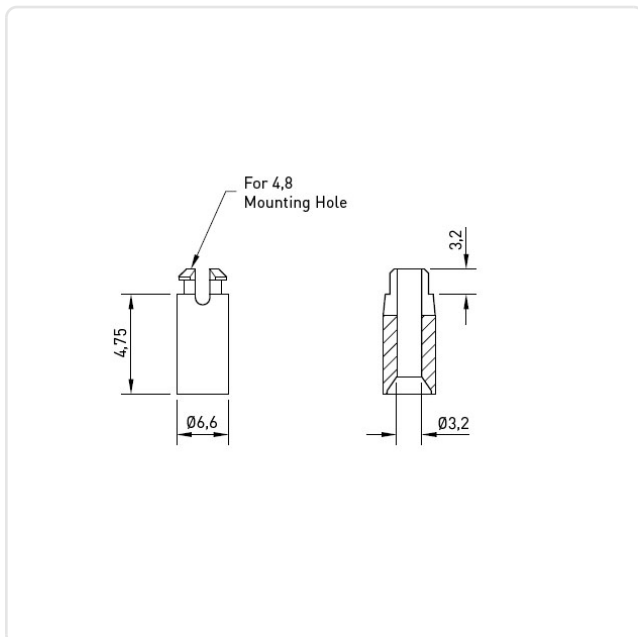
Image may be similar

Color: Natural
 Flammability Class: UL94-V0
 For Thread Size: M3
 Inner Diameter [mm]: 3.2
 Length [mm]: 4.75
 Material: PA 6.6
 Material Group: Plastic
 Mounting Hole [mm]: 4.8
 Outer Diameter [mm]: 6.6
 Weight: 0.34g
 Conformities:



You can find all information on the web on our article detail page

[Round Spacer Ø3.2/6.6 x 4.75 PA 6.6 natural Snap-In](#)



Would you like individual advice?

We look forward to your email to products@ettinger.de.

Subject to change and errors.