

Article datasheet

Lock Washer $\text{\O}2.7/4.8 \times 0.5$ Nickel-Plated Spring Steel

Article-No.: 003.04.023

Manufacturer: SCHNORR

Manufacturer article-no.: 407300 / S2,5

SCHNORR
DISC SPRING ENGINEERING



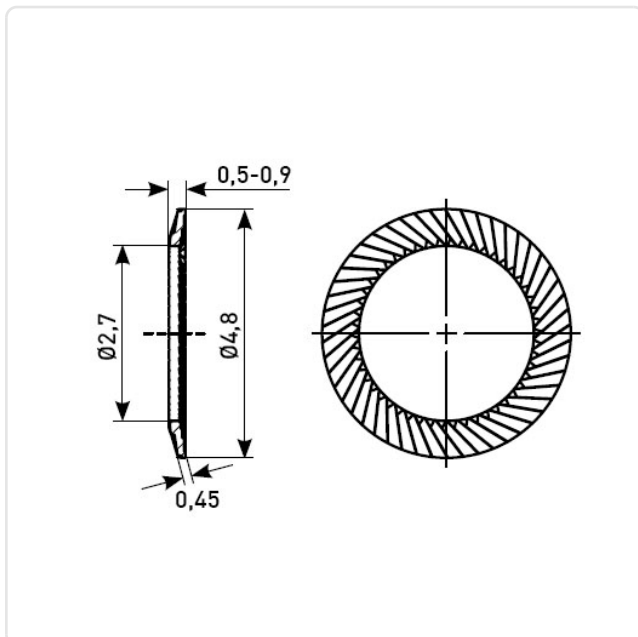
Image may be similar

Finish: Nickel-Plated, 3 μm , E1E
 For Thread Size: M2.5
 Height [mm]: 0.45
 Inner Diameter [mm]: 2.7
 Material: Spring Steel
 Material Group: Steel
 Outer Diameter [mm]: 4.8
 Weight: 0.04g
 Conformities:



You can find all information on the web on our article detail page

[Lock Washer \$\text{\O}2.7/4.8 \times 0.5\$ Nickel-Plated Spring Steel](#)



Would you like individual advice?

We look forward to your email to products@ettinger.de.

Subject to change and errors.