

Article datasheet

End-Sleeve DIN 46228/D 1mm² 6mm Polypropylen yellow - not UL listed

Article-No.: 018.80.103



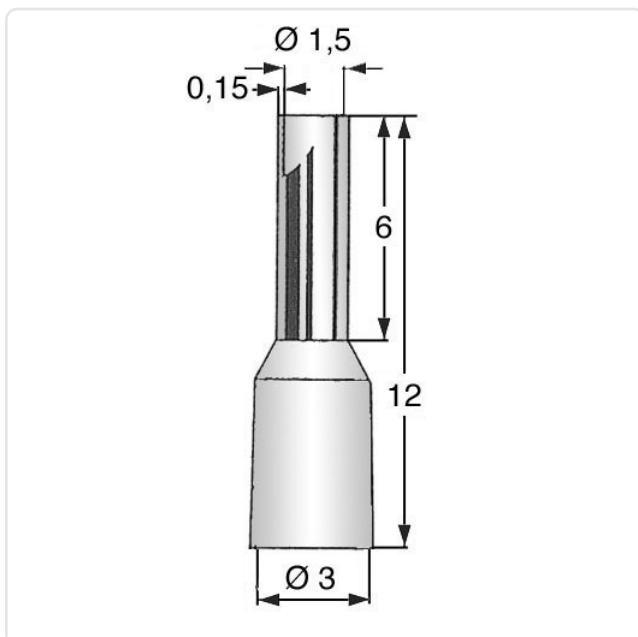
Image may be similar

Color:	Yellow
Finish:	Tin-Plated
Insulation:	Polypropylene
Length [mm]:	12.4
Material:	Electrolytic Copper
Material Group:	Electrolytic Copper
Plug-In Length [mm]:	6
Wire Cross Section [mm ²]:	1.0
Weight:	0.08g
Conformities:	 



You can find all information on the web on our article detail page

[End-Sleeve DIN 46228/D 1mm² 6mm Polypropylen yellow - not UL listed](#)



Would you like individual advice?

We look forward to your email to products@ettinger.de.

Subject to change and errors.