

Article datasheet

Socket Head Screw ISO14580 M4x35 Stainless Steel A2 Hexalobular

Article-No.: 082.66.432



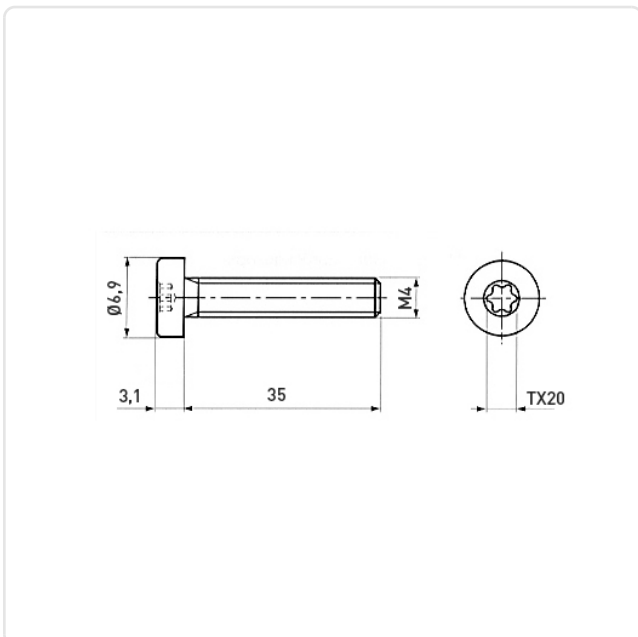
Image may be similar

| | |
|---------------------|-------------------------------|
| Actuator Size: | Torx T20 |
| DIN/ISO: | ISO14580 |
| Drive Type: | TORX |
| Finish: | Plain |
| Head Diameter [mm]: | 6.9 |
| Head Height [mm]: | 3.1 |
| Head Shape: | Flat Cheese Head |
| Length [mm]: | 35 |
| Material: | Stainless Steel AISI 304 / A2 |
| Material Group: | Stainless Steel |
| Thread Size: | M4 |
| Conformities: | |



You can find all information on the web on our article detail page

[Socket Head Screw ISO14580 M4x35
Stainless Steel A2 Hexalobular](#)



Would you like individual advice?

We look forward to your email to products@ettinger.de.

Subject to change and errors.