

Article datasheet

Hole Grommet 8.0/11.0-1.5mm Polychloropren (Neopren) black

Article-No.: 014.71.815

Manufacturer: SES-Sterling

Manufacturer article-no.: 0252 0028 010



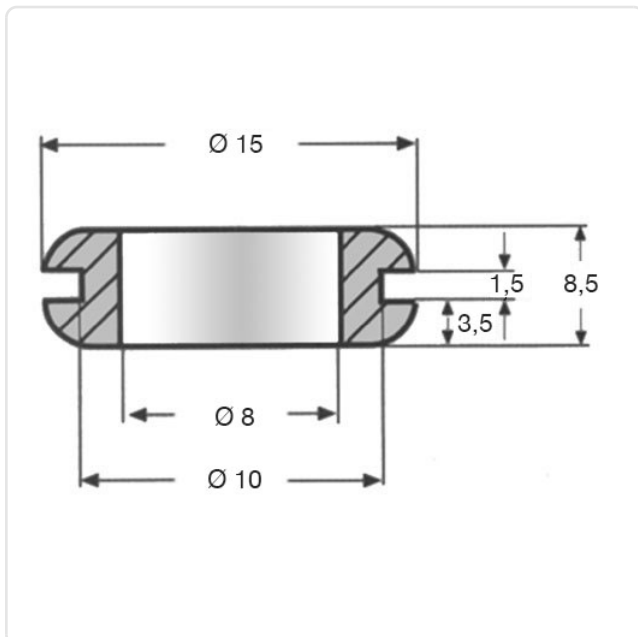
Image may be similar

Color:	Black
Inner Diameter [mm]:	8
Material:	CR - Polychloroprene
Material Group:	Plastic
Max. Panel Thickness [mm]:	1.5
Mounting Hole [mm]:	10
Weight:	1.48g
Conformities:	



You can find all information on the web on our article detail page

[Hole Grommet 8.0/11.0-1.5mm Polychloropren \(Neopren\) black](#)



Would you like individual advice?

We look forward to your email to products@ettinger.de.

Subject to change and errors.