

Article datasheet

## Hole Grommet 3.6/6.0-1.5mm EPDM black

Article-No.: 014.70.141

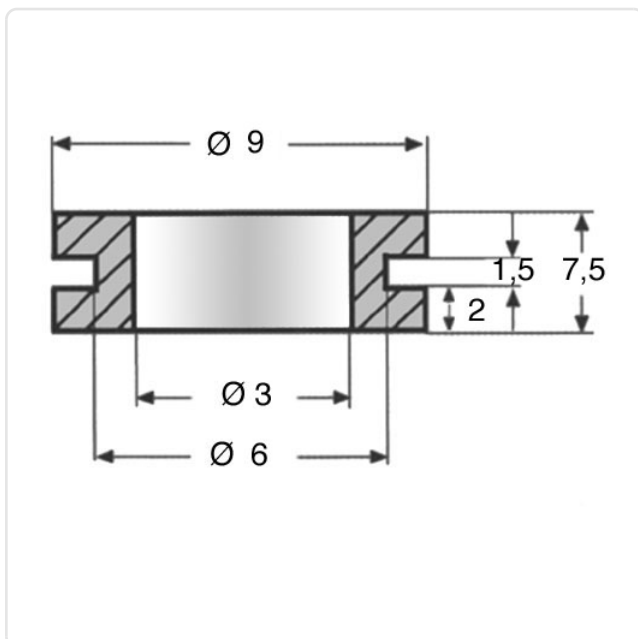


Image may be similar

Color:	Black
Inner Diameter [mm]:	3.6
Material:	EPDM - Ethylene Propylene Diene
Material Group:	Plastic
Max. Panel Thickness [mm]:	1.5
Mounting Hole [mm]:	6
Weight:	0.36g
Conformities:	<div style="display: flex; gap: 10px;"> <div style="border: 1px solid green; padding: 2px; font-size: 8px;">Reach COMPLIANT</div> <div style="border: 1px solid green; padding: 2px; font-size: 8px;">RoHS COMPLIANT</div> <div style="border: 1px solid green; padding: 2px; font-size: 8px;">SVHC COMPLIANT</div> </div>



You can find all information on the web on our article detail page  
[Hole Grommet 3.6/6.0-1.5mm EPDM black](#)



Would you like individual advice?

We look forward to your email to [products@ettinger.de](mailto:products@ettinger.de).

Subject to change and errors.