

Article datasheet

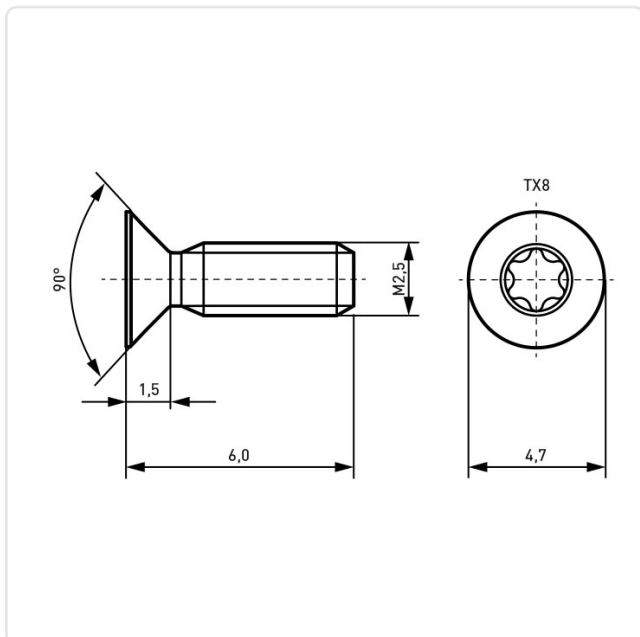
## Countersunk Screw ISO14581 M2.5x6 Galvanized Steel 4.8 Torx

Article-No.: 001.55.221



Image may be similar

Actuator Size:	Torx T8
DIN/ISO:	ISO14581
Drive Type:	TORX
Finish:	Galvanized, Blue, 5 µm, A2K
Head Diameter [mm]:	4.7
Head Height [mm]:	1.5
Head Shape:	Countersunk Head
Length [mm]:	6
Material:	Steel 4.8
Material Group:	Stahl
Thread Size:	M2.5
Weight:	0.22g
Conformities:	



You can find all information on the web on our article detail page

[Countersunk Screw ISO14581 M2.5x6 Galvanized Steel 4.8 Torx](#)

Would you like individual advice?

We look forward to your email to [products@ettinger.de](mailto:products@ettinger.de).

Subject to change and errors.