

Article datasheet

Button Head Screw ISO7380-1 M4x12 Stainless Steel A4 Hexalobular

Article-No.: 001.53.459

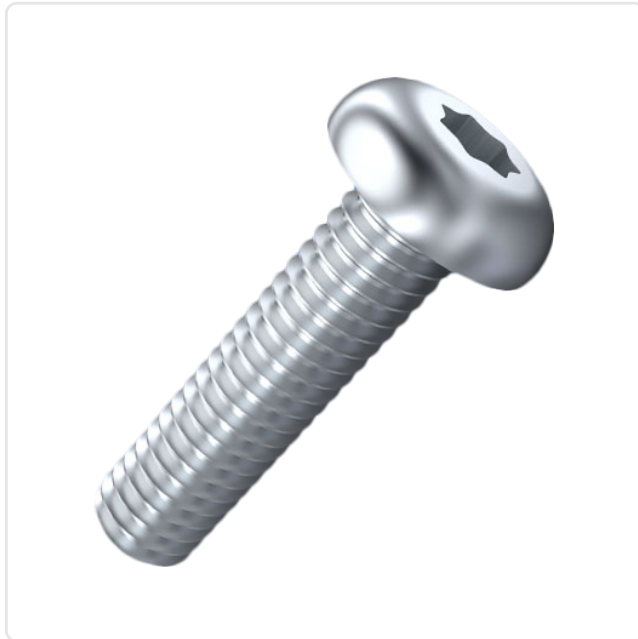
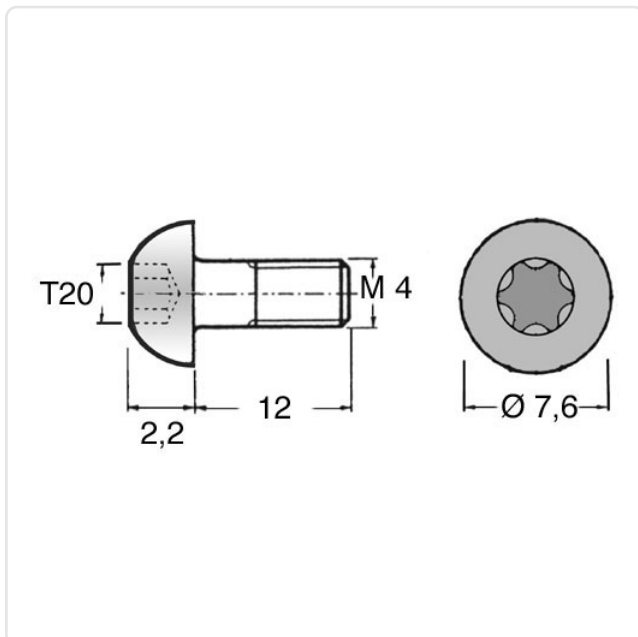


Image may be similar

Actuator Size:	Torx T20
DIN/ISO:	ISO7380-1
Drive Type:	TORX
Finish:	Plain
Head Diameter [mm]:	7.6
Head Height [mm]:	2.2
Head Shape:	Button Head
Length [mm]:	12
Material:	Stainless Steel AISI 316 / A4
Material Group:	NULL
Thread Size:	M4
Weight:	1.4g
Conformities:	



You can find all information on the web on our article detail page

[Button Head Screw ISO7380-1 M4x12
Stainless Steel A4 Hexalobular](#)

Would you like individual advice?

We look forward to your email to products@ettinger.de.

Subject to change and errors.