

Article datasheet

Knurled Thumb Screw M6x6.5 Polyamide 6.6 natural Vertical Knurl

Article-No.: 001.49.4010



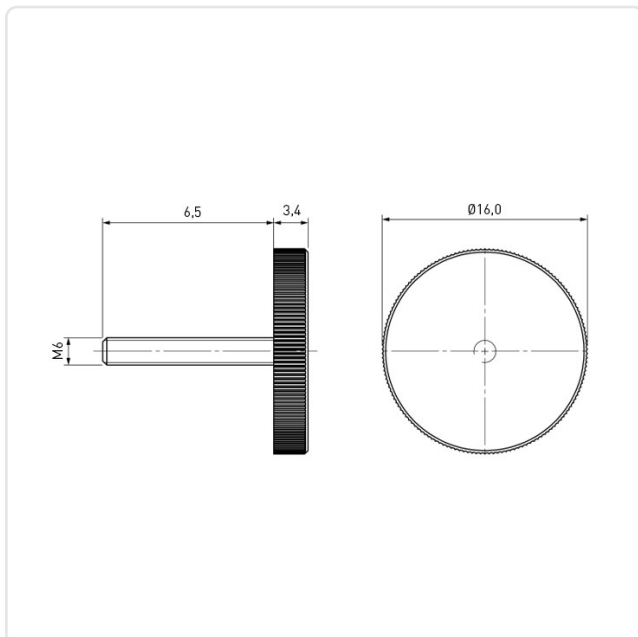
Image may be similar

Color:	Natural
Head Diameter [mm]:	16
Head Height [mm]:	3.4
Head Shape:	Cheese Head
Knurling:	Vertical Knurl
Length [mm]:	6.5
Material:	PA 6.6
Material Group:	Plastic
Thread Size:	M6
Weight:	0.862g
Conformities:	<div style="display: flex; align-items: center; gap: 10px;"> <div style="border: 1px solid black; padding: 2px; font-size: 8px;">SVHC NOT COMPLIANT</div> <div style="font-size: 24px; color: red;">✗</div> <div style="border: 1px solid black; padding: 2px; font-size: 8px;">Reach COMPLIANT</div> <div style="font-size: 24px; color: green;">✓</div> <div style="border: 1px solid black; padding: 2px; font-size: 8px;">RoHS NOT COMPLIANT</div> <div style="font-size: 24px; color: red;">✗</div> </div>



You can find all information on the web on our article detail page

[Knurled Thumb Screw M6x6.5 Polyamide 6.6 natural Vertical Knurl](#)



Would you like individual advice?

We look forward to your email to products@ettinger.de.

Subject to change and errors.