

Article datasheet

Push-In Foot Ø7.9x1.6 TPE black

Article-No.: 017.56.060

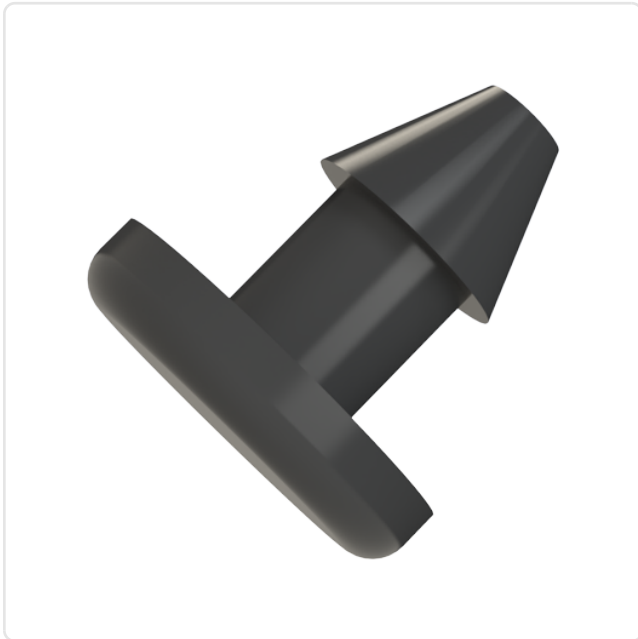


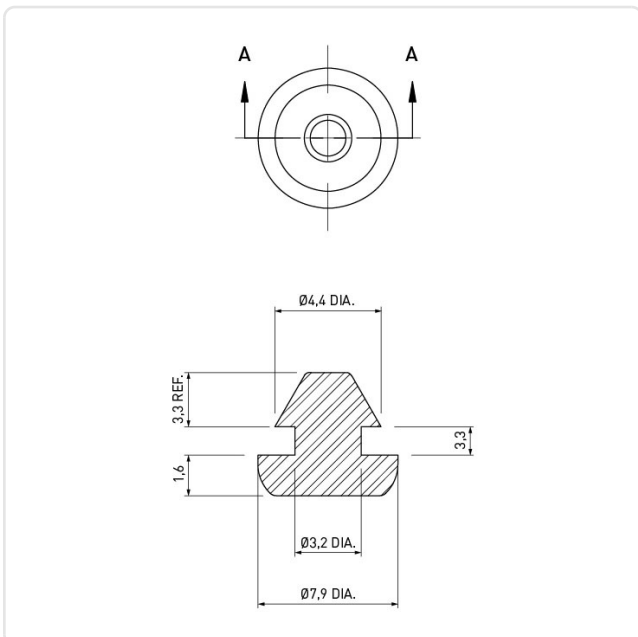
Image may be similar

Color:	Black
Diameter [mm]:	7.9
Flammability Class:	UL94-HB
Height [mm]:	1.6
Material:	TPR - Thermoplastic Elastomer
Material Group:	Plastic
Panel Hole Ø [mm]:	3.75
Panel Thickness [mm]:	3,3
Weight:	0.1g
Conformities:	<div style="display: flex; gap: 10px;"> <div style="border: 1px solid black; padding: 2px; text-align: center;">Reach COMPLIANT ✓</div> <div style="border: 1px solid black; padding: 2px; text-align: center;">RoHS COMPLIANT ✓</div> <div style="border: 1px solid black; padding: 2px; text-align: center;">SVHC COMPLIANT ✓</div> </div>



You can find all information on the web on our article detail page

[Push-In Foot Ø7.9x1.6 TPE black](#)



Would you like individual advice?

We look forward to your email to products@ettinger.de.

Subject to change and errors.