

Article datasheet

Cable Tie 22.2" extra-heavy Weather resistant PA6.6 black

Article-No.: 072.97.565

Manufacturer: Panduit

Manufacturer article-no.: PLT6EH-C0

PANDUIT™



Image may be similar

Bundle Diameter [mm]: 110,0-190,0

Color: Black

Flammability Class: UL94-V2

Length [mm]: 564

Material: PA 6.6

Material Group: Plastic

Width [mm]: 12.7

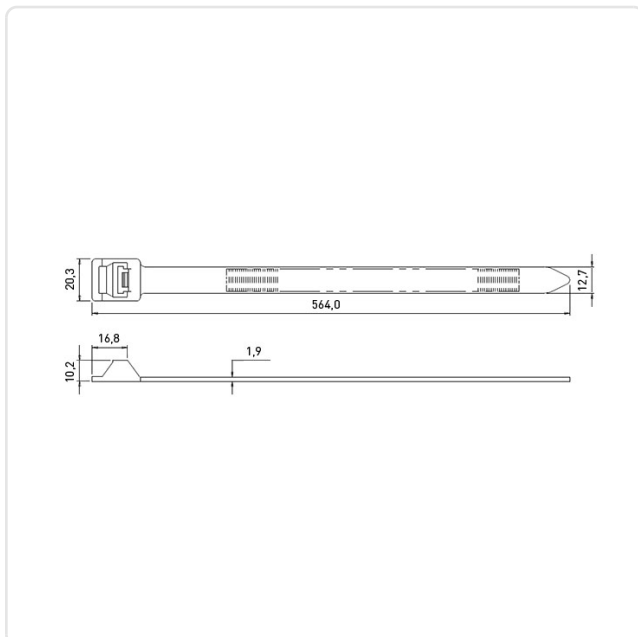
Weight: 15.12g

Conformities:



You can find all information on the web on our article detail page

[Cable Tie 22.2" extra-heavy Weather resistant PA6.6 black](#)



Would you like individual advice?

We look forward to your email to products@ettinger.de.

Subject to change and errors.