

Article datasheet

## Countersunk Screw ISO2009 M1.6x4 Galvanized Steel 4.8 Slotted

Article-No.: 001.11.001



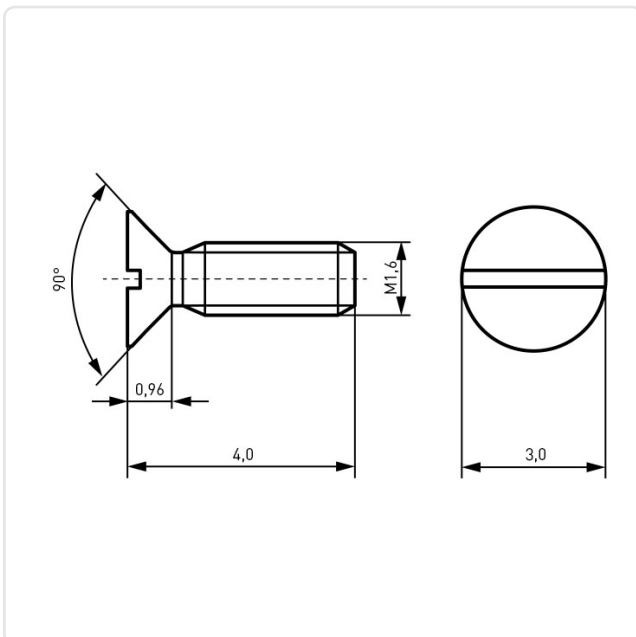
Image may be similar

DIN/ISO:	DIN963 / ISO2009
Drive Type:	Slotted
Finish:	Galvanized, Blue, 5 µm, A2K
Head Diameter [mm]:	3
Head Height [mm]:	0.96
Head Shape:	Countersunk Head
Length [mm]:	4
Material:	Steel 4.8
Material Group:	Stahl
Thread Size:	M1.6
Weight:	0.08g
Conformities:	



You can find all information on the web on our article detail page

[Countersunk Screw ISO2009 M1.6x4 Galvanized Steel 4.8 Slotted](#)



Would you like individual advice?

We look forward to your email to [products@ettinger.de](mailto:products@ettinger.de).

Subject to change and errors.