

Article datasheet

Hexagon Nut DIN439/ISO4035 M5 Galvanized Steel 4.8

Article-No.: 002.09.051

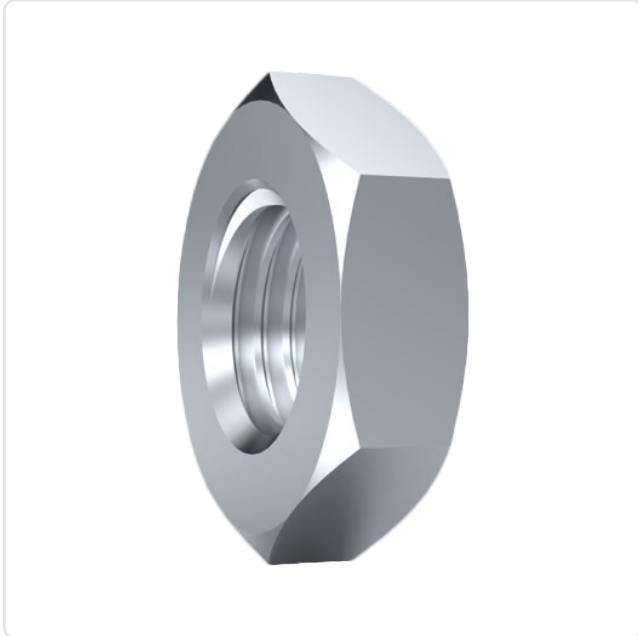


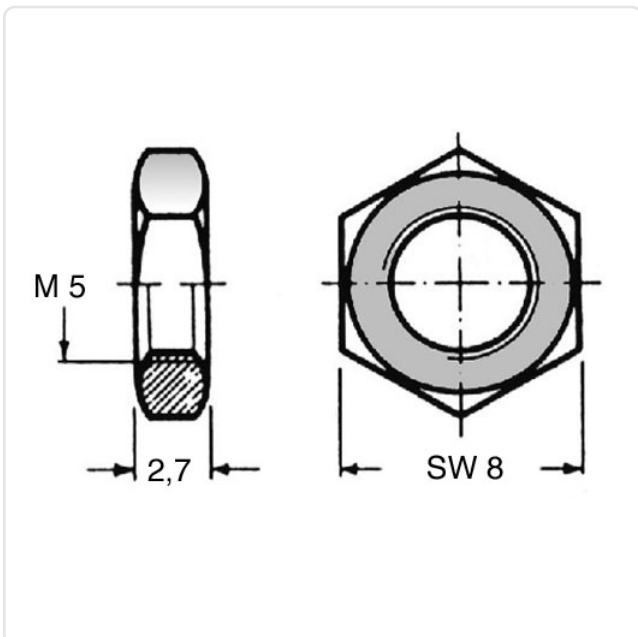
Image may be similar

AF / OD [mm]: 8
DIN/ISO: ISO4035
Finish: Galvanized, Blue, 5 µm, A2K
Height [mm]: 2.7
Material: Steel 4.8
Material Group: Stahl
Thread Size: M5
Weight: 0.65g
Conformities:



You can find all information on the web on our article detail page

[Hexagon Nut DIN439/ISO4035 M5 Galvanized Steel 4.8](#)



Would you like individual advice?

We look forward to your email to products@ettinger.de.

Subject to change and errors.