

Article datasheet

Threaded Block AF5.5x15 | 2x M3 Nickel-Plated Brass

Article-No.: 005.60.333

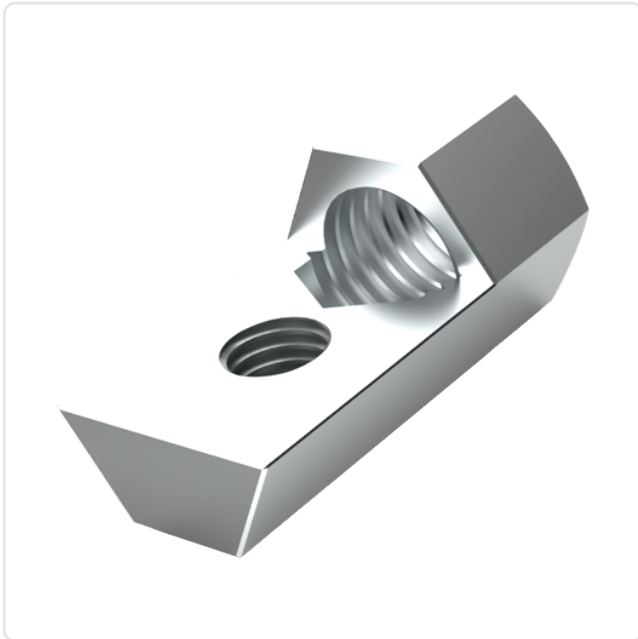


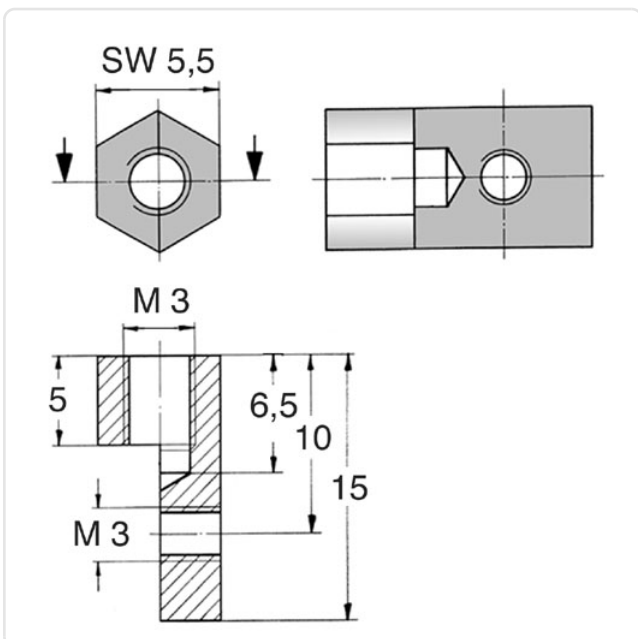
Image may be similar

Finish: Nickel-Plated, 3 µm, E1E
 Length [mm]: 15
 Material: Brass CW614N / CuZn39Pb3
 Material Group: Brass
 Thread 1 / Hole 1: M3
 Thread 1 Length [mm]: 5
 Thread 2 / Hole 2: M3
 Weight: 1.76g
 Conformities:



You can find all information on the web on our article detail page

[Threaded Block AF5.5x15 | 2x M3 Nickel-Plated Brass](#)



Would you like individual advice?

We look forward to your email to products@ettinger.de.

Subject to change and errors.