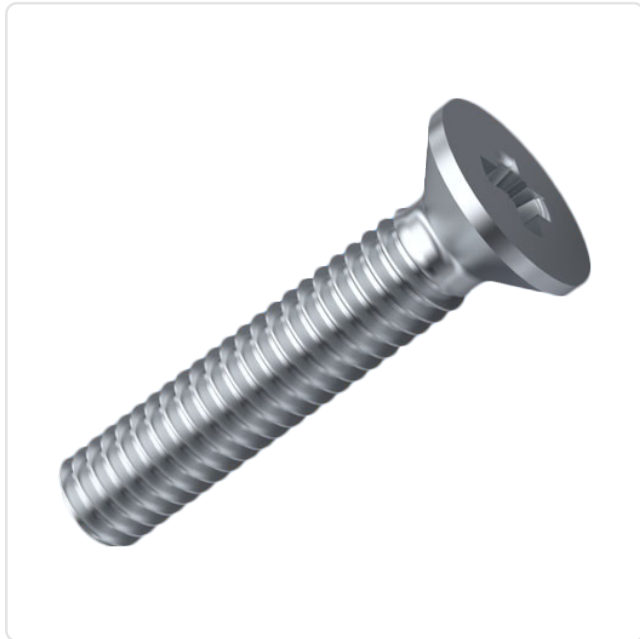


Article datasheet

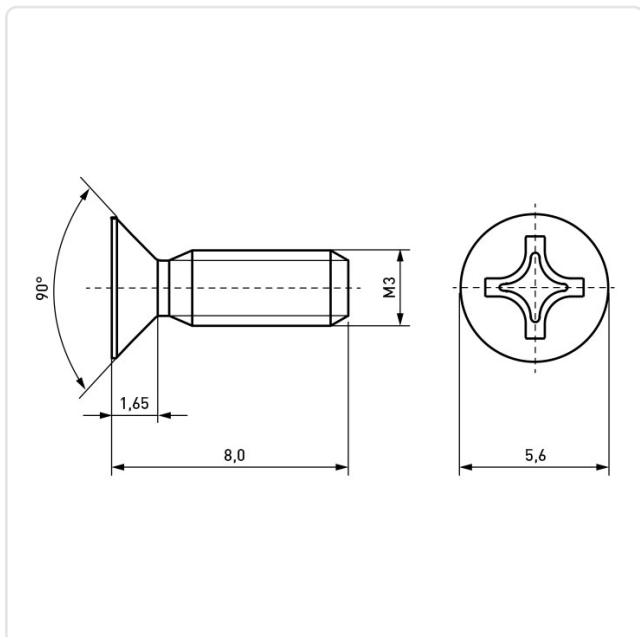
## Countersunk Screw ISO7046 M3x8 A4 Plain Stainless Steel Cross Recessed

Article-No.: 001.12.339



Actuator Size:	Phillips PH1
DIN/ISO:	ISO7046
Drive Type:	Cross Recess / Phillips-H
Finish:	Plain
Head Diameter [mm]:	5.6
Head Height [mm]:	1.65
Head Shape:	Countersunk Head
Length [mm]:	8
Material:	Stainless Steel AISI 316 / A4
Material Group:	Stahl rostfrei
Thread Size:	M3
Weight:	0.34g
Conformities:	  

Image may be similar



You can find all information on the web on our article detail page

[Countersunk Screw ISO7046 M3x8 A4 Plain Stainless Steel Cross Recessed](#)

Would you like individual advice?

We look forward to your email to [products@ettinger.de](mailto:products@ettinger.de).

Subject to change and errors.