

Article datasheet

Thread Insert M4 | 8.0 Plain Brass

Article-No.: 002.19.480



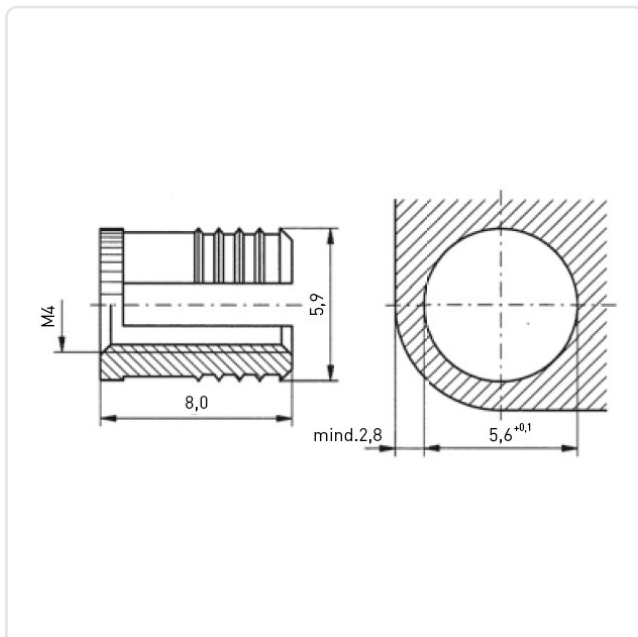
Image may be similar

Finish:	Plain
Length [mm]:	8
Material:	Brass
Material Group:	Brass
Minimum Edge Distance [mm]:	2.8
Panel Hole Ø [mm]:	5.5
Thread Size:	M4
Weight:	0.6g
Conformities:	



You can find all information on the web on our article detail page

[Thread Insert M4 | 8.0 Plain Brass](#)



Would you like individual advice?

We look forward to your email to products@ettinger.de.

Subject to change and errors.