

Article datasheet

Slotted Round Nut M10x0.75 Nickel-Plated Brass

Article-No.: 062.10.009

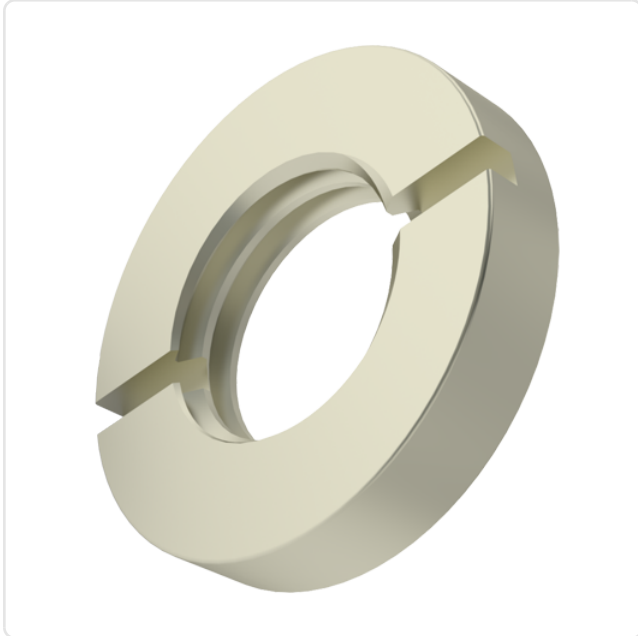
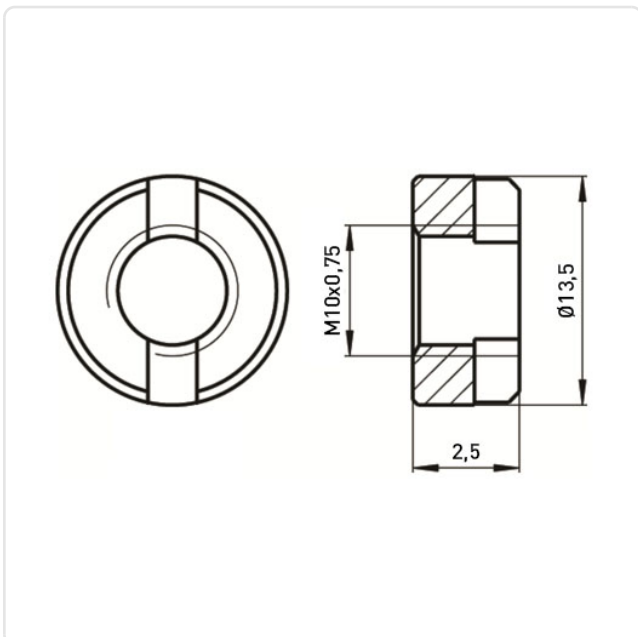


Image may be similar

AF / OD [mm]: 13.5
Finish: Nickel-Plated, 3 µm, E1E
Height [mm]: 2.5
Material: Brass CW614N / CuZn39Pb3
Material Group: Brass
Thread Size: M10x0.75
Weight: 1.3g
Conformities:



You can find all
information on the web on
our article detail page



Would you like individual advice?

We look forward to your email to products@ettinger.de.

Subject to change and errors.