

Article datasheet

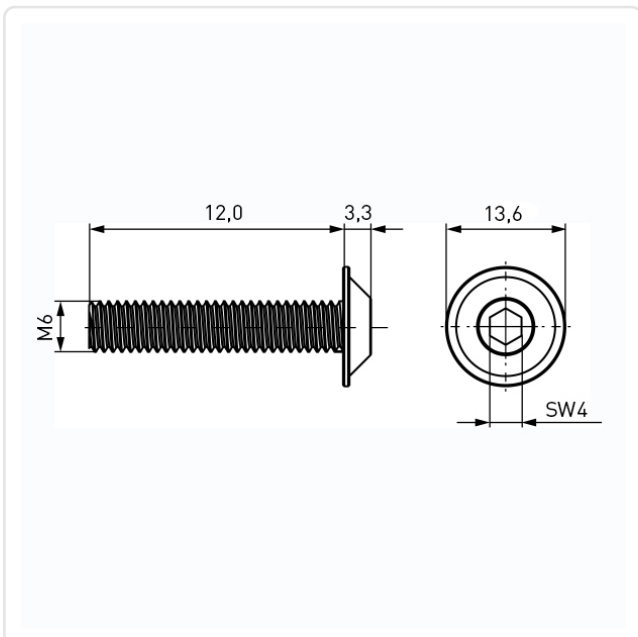
## Collar Button Head Screw ISO7380-2 M6x12 Steel 10.9 Zinc Plated Hexagon

Article-No.: 001.66.6121



Image may be similar

Actuator Size:	Hexagon Socket Hex4
DIN/ISO:	ISO7380-2
Drive Type:	Hexagon Socket
Finish:	Galvanized, Blue, 5 µm, A2K
Head Diameter [mm]:	13.6
Head Height [mm]:	3.3
Head Shape:	Button Head with Collar
Length [mm]:	12
Material:	Steel 10.9, lead-free
Material Group:	Steel
Thread Size:	M6
Weight:	3.6g
Conformities:	



You can find all information on the web on our article detail page

[Collar Button Head Screw ISO7380-2 M6x12 Steel 10.9 Zinc Plated Hexagon](#)

Would you like individual advice?

We look forward to your email to [products@ettinger.de](mailto:products@ettinger.de).

Subject to change and errors.