

Article datasheet

Lock Washer Ø6.4/10.0 x 0.7 A2 Plain Stainless Steel

Article-No.: 003.04.069

Manufacturer: SCHNORR

Manufacturer article-no.: 417900

SCHNORR
DISC SPRING ENGINEERING



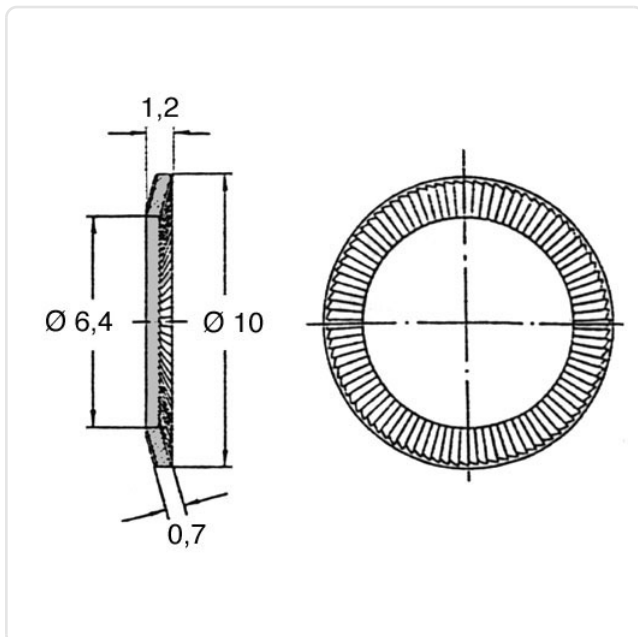
Image may be similar

Finish: Plain
 For Thread Size: M6
 Height [mm]: 0.7
 Inner Diameter [mm]: 6.4
 Material: Stainless Steel AISI 304 / X5CrNi18-10
 Material Group: Stainless Steel
 Outer Diameter [mm]: 10
 Weight: 0.21g
 Conformities:



You can find all information on the web on our article detail page

[Lock Washer Ø6.4/10.0 x 0.7 A2 Plain Stainless Steel](#)



Would you like individual advice?

We look forward to your email to products@ettinger.de.

Subject to change and errors.