

Article datasheet

Toothed Lock Washer DIN6797 J Ø4.3/8.0 x 0.5 Galvanized Spring Steel

Article-No.: 003.42.041



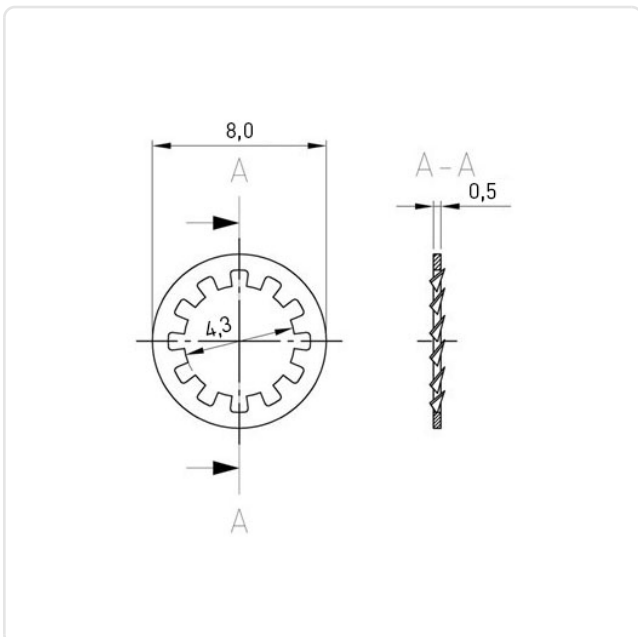
Image may be similar

DIN/ISO:	DIN6797I
Finish:	Galvanized, Blue, 5 µm, A2K
For Thread Size:	M4
Height [mm]:	0.5
Inner Diameter [mm]:	4.3
Material:	Spring Steel
Material Group:	Steel
Outer Diameter [mm]:	8
Weight:	0.11g
Conformities:	<div style="display: flex; gap: 10px;"> <div style="border: 1px solid black; padding: 2px; text-align: center;">Reach COMPLIANT ✓</div> <div style="border: 1px solid black; padding: 2px; text-align: center;">RoHS COMPLIANT ✓</div> <div style="border: 1px solid black; padding: 2px; text-align: center;">SVHC COMPLIANT ✓</div> </div>



You can find all information on the web on our article detail page

[Toothed Lock Washer DIN6797 J Ø4.3/8.0 x 0.5 Galvanized Spring Steel](#)



Would you like individual advice?

We look forward to your email to products@ettinger.de.

Subject to change and errors.