

Article datasheet

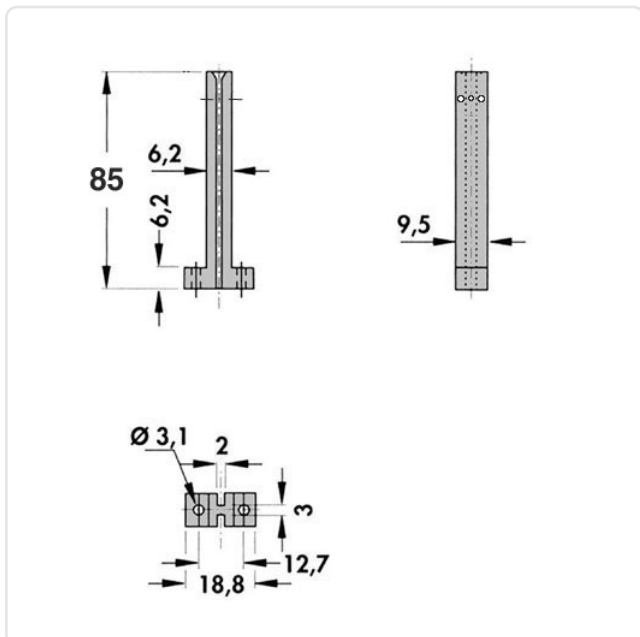
Card Guide for 1/16" PCB 85mm Polyamid 6.6 grey UL94-V0

Article-No.: 075.35.688



Color:	Gray
Dist. Mounting Holes [mm]:	12.7
Flammability Class:	UL94-V0
Length [mm]:	85
Material:	PA 6.6
Material Group:	Plastic
Model:	Screw Fastening
Width [mm]:	6.2
Weight:	5.97g
Conformities:	<div style="display: flex; gap: 10px;"> <div style="border: 1px solid green; padding: 2px; font-size: 8px;">Reach COMPLIANT</div> <div style="border: 1px solid green; padding: 2px; font-size: 8px;">RoHS COMPLIANT</div> <div style="border: 1px solid green; padding: 2px; font-size: 8px;">SVHC COMPLIANT</div> </div>

Image may be similar



You can find all information on the web on our article detail page

Would you like individual advice?

We look forward to your email to products@ettinger.de.

Subject to change and errors.