

Article datasheet

## Solder Pin $\varnothing 1.0 \times 15.5$ mm Brass tinned with round press-in shaft

Article-No.: 013.14.145



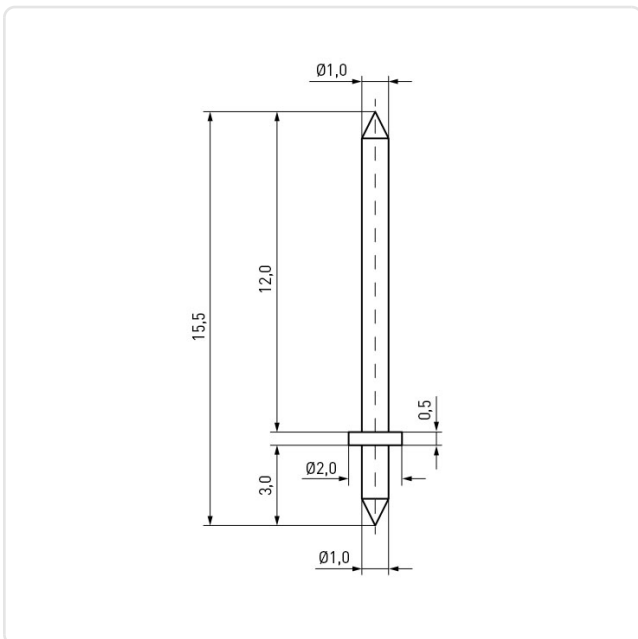
Image may be similar

Diameter [mm]: 1  
 Finish: Tin-Plated  
 Length [mm]: 15.5  
 Material: Brass  
 Material Group: Brass  
 PCB Hole  $\varnothing$  [mm]: 1  
 Plug-In Length [mm]: 12  
 Weight: 0.11g  
 Conformities:



You can find all information on the web on our article detail page

[Solder Pin  \$\varnothing 1.0 \times 15.5\$ mm Brass tinned with round press-in shaft](#)



Would you like individual advice?

We look forward to your email to [products@ettinger.de](mailto:products@ettinger.de).

Subject to change and errors.