

Article datasheet

IEC Power Inlet 2+E Flange Mount/Fused 1pole/solder pin

Article-No.: 039.74.520

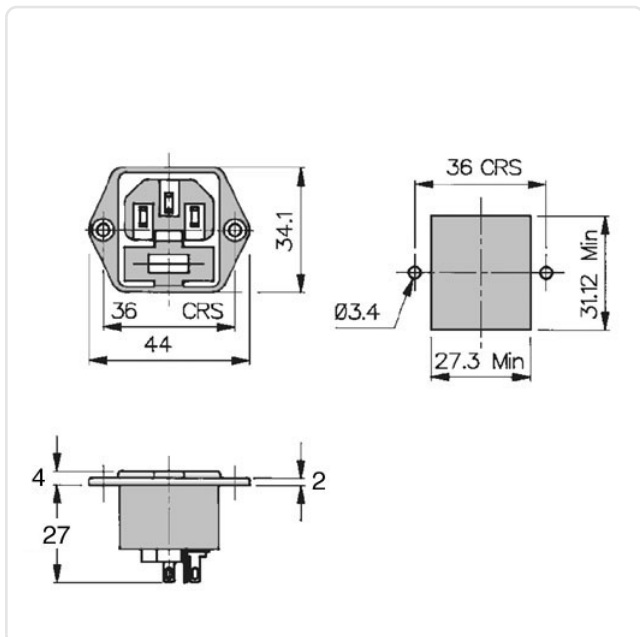


Image may be similar

Amperage [A]: 10
 Color: Black
 Connections: 2.8x0.8
 Fuse Size [mm]: 5.0x20.0
 Model: Plug, Screw Mounting
 Weight: 15.8g
 Conformities:



You can find all information on the web on our article detail page



Would you like individual advice?

We look forward to your email to products@ettinger.de.

Subject to change and errors.