

Article datasheet

Solder Terminal Pin 1.8x7.5mm Brass silver-plated 0.4mm thick

Article-No.: 013.13.229

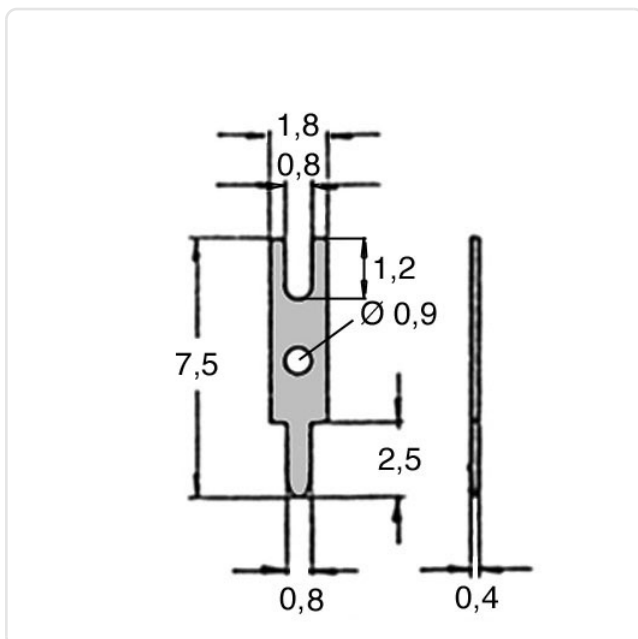


Image may be similar

Finish: Silver-Plated
 Length [mm]: 7.5
 Material: Brass lead-free
 PCB Hole Ø [mm]: 0.75
 Thickness [mm]: 0.4
 Width [mm]: 1.8
 Weight: 0.03g
 Conformities:



You can find all information on the web on our article detail page
[Solder Terminal Pin 1.8x7.5mm Brass silver-plated 0.4mm thick](#)



Would you like individual advice?

We look forward to your email to products@ettinger.de.

Subject to change and errors.