

Article datasheet

PCB Support 2.0 | \varnothing 2.5 | \varnothing 2.5 Polyamide 6.6 natural

Article-No.: 006.75.026

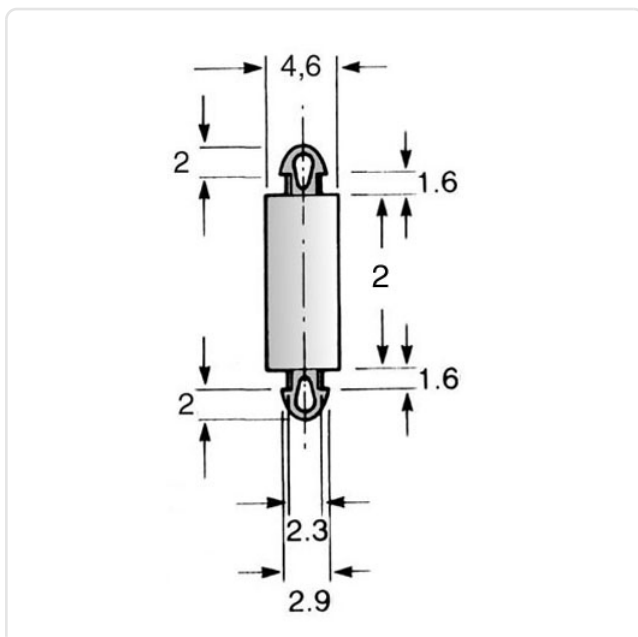


Image may be similar

Color: Natural
 Flammability Class: UL94-V2
 Length [mm]: 2
 Material: PA 6.6
 Material Group: Plastic
 PCB Hole \varnothing [mm]: 2.5
 PCB Thickness [mm]: 1.6
 Panel Hole \varnothing [mm]: 2.5
 Panel Thickness [mm]: 1.6
 Weight: 0.08g
 Conformities:



You can find all information on the web on our article detail page [PCB Support 2.0 | \$\varnothing\$ 2.5 | \$\varnothing\$ 2.5 Polyamide 6.6 natural](#)



Would you like individual advice?

We look forward to your email to products@ettinger.de.

Subject to change and errors.