

Article datasheet

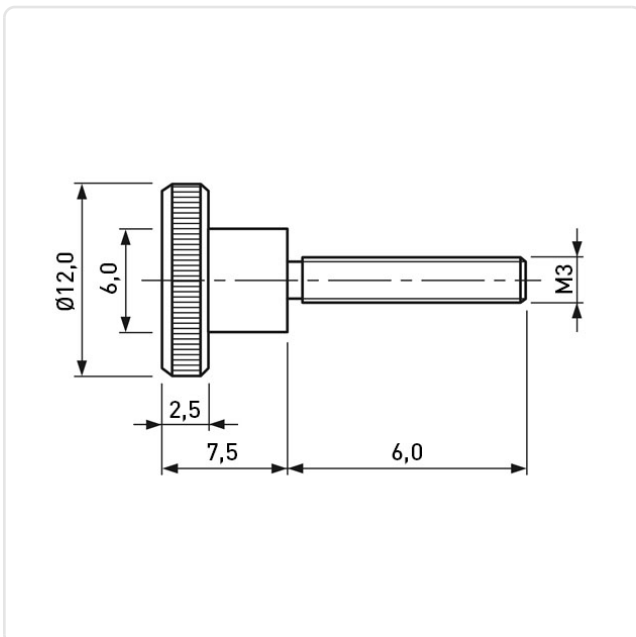
Knurled Thumb Screw DIN464 M3x6 A1 Stainless Steel Vertical Knurl

Article-No.: 001.86.322



Image may be similar

Drive Type:	Knurl
Finish:	Plain
Head Diameter [mm]:	12
Head Height [mm]:	2.5
Head Shape:	Flat Head
Knurling:	Vertical Knurl
Length [mm]:	6
Material:	Stainless Steel AISI 303 / A1
Material Group:	Stahl rostfrei
Reduced Shank Length [mm]:	5
Thread Size:	M3
Weight:	2g
Conformities:	



You can find all information on the web on our article detail page

[Knurled Thumb Screw DIN464 M3x6 A1 Stainless Steel Vertical Knurl](#)

Would you like individual advice?

We look forward to your email to products@ettinger.de.

Subject to change and errors.