

Article datasheet

**PCB Support 4.8 |  $\varnothing$ 4.0 |  $\varnothing$ 4.0 Polyamide 6.6 natural**

Article-No.: 006.09.049

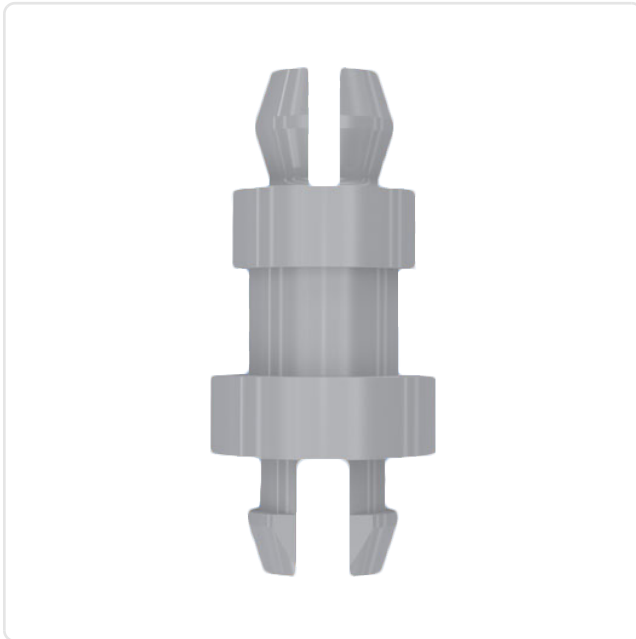


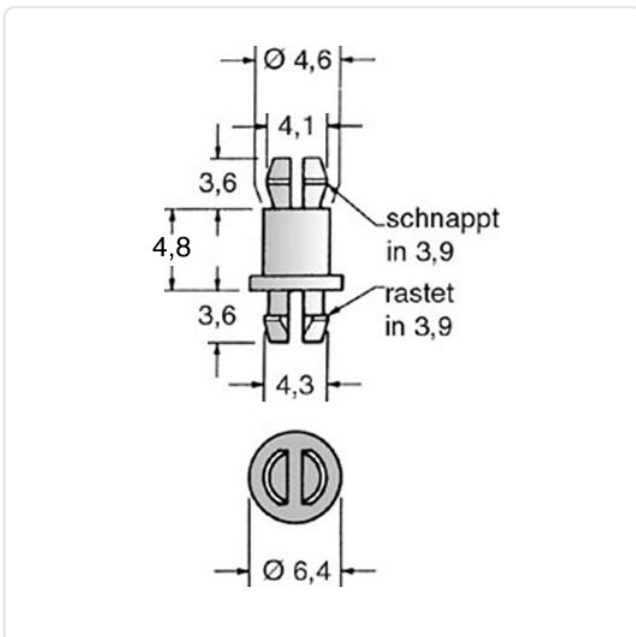
Image may be similar

Color: Natural  
 Flammability Class: UL94-V2  
 Length [mm]: 4.8  
 Material: PA 6.6  
 Material Group: Plastic  
 PCB Hole  $\varnothing$  [mm]: 4  
 PCB Thickness [mm]: 1,6  
 Panel Hole  $\varnothing$  [mm]: 4  
 Panel Thickness [mm]: 1,6  
 Weight: 0.21g  
 Conformities:



You can find all information on the web on our article detail page

[PCB Support 4.8 |  \$\varnothing\$ 4.0 |  \$\varnothing\$ 4.0 Polyamide 6.6 natural](#)



Would you like individual advice?

We look forward to your email to [products@ettinger.de](mailto:products@ettinger.de).

Subject to change and errors.