

Article datasheet

Soldering Strip 3-pole | M3 Ceramic C221 | Tinned Bronze

Article-No.: 013.82.103



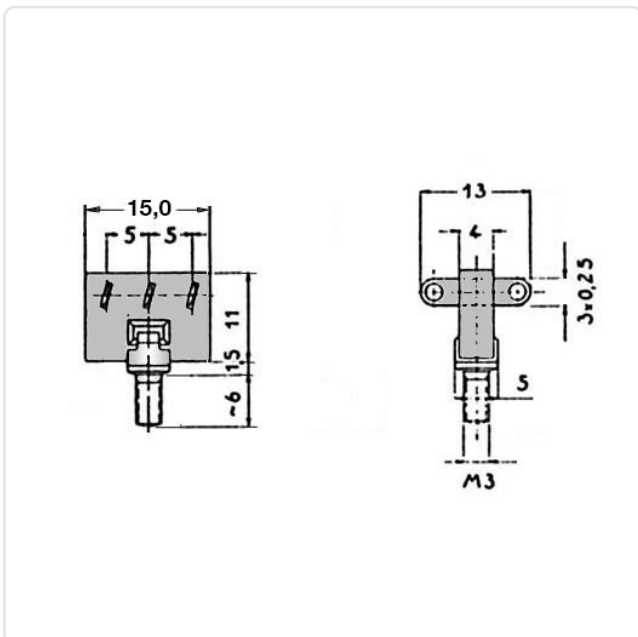
Image may be similar

| | |
|---------------------|------------|
| Finish: | Tin-Plated |
| Insulation: | Ceramic |
| Length [mm]: | 15 |
| Material: | Bronze |
| Material Group: | Bronze |
| Thread Length [mm]: | 6 |
| Thread Size: | M3 |
| Weight: | 2.6g |
| Conformities: | |



You can find all information on the web on our article detail page

[Soldering Strip 3-pole | M3 Ceramic C221 | Tinned Bronze](#)



Would you like individual advice?

We look forward to your email to products@ettinger.de.

Subject to change and errors.