

Article datasheet

Blade Terminal 6.3x0.8 | 90° | ø4.3 Tin-Plated Brass

Article-No.: 019.68.345



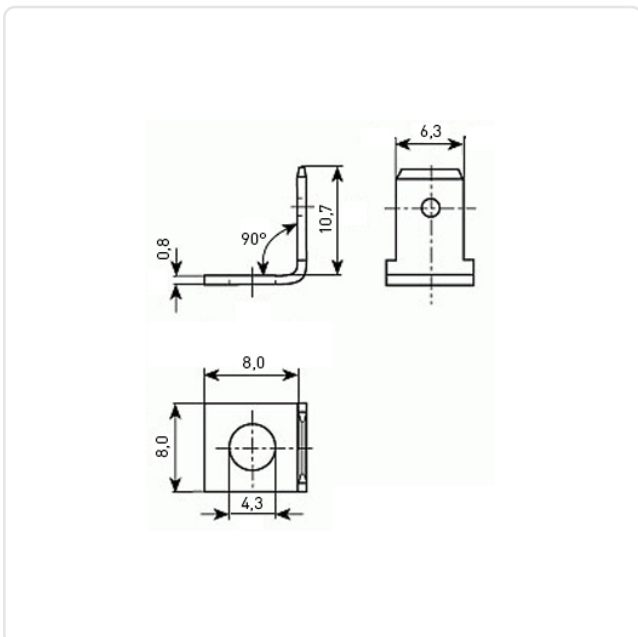
Image may be similar

Bending Angle [°]: 90
 Finish: Tin-Plated
 Material: Brass lead-free
 Mounting Hole [mm]: 4.3
 Plug-In Length [mm]: 8
 Size [mm]: 6.3x0.8
 Tabs: 1
 Weight: 0.77g
 Conformities:



You can find all information on the web on our article detail page

[Blade Terminal 6.3x0.8 | 90° | ø4.3 Tin-Plated Brass](#)



Would you like individual advice?

We look forward to your email to products@ettinger.de.

Subject to change and errors.