

Article datasheet

Self-Clinching Stud M4x12.0 A2 Stainless Steel Passivated

Article-No.: 004.69.459



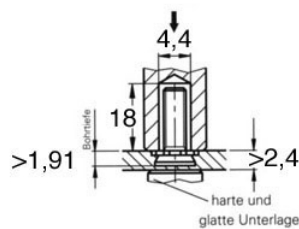
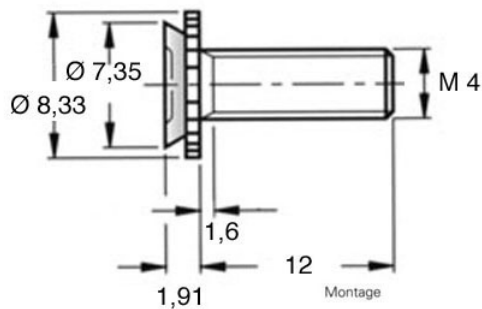
Image may be similar

Area of Application:	For Metallic Materials
Finish:	Passivated, Clear
Head Diameter [mm]:	8.33
Length [mm]:	12
Material:	Stainless Steel AISI 304 / A2
Material Group:	Stainless Steel
Minimum Edge Distance [mm]:	5.6
Panel Hole Ø [mm]:	7.4
Panel Thickness [mm]:	1,6
Thread Size:	M4
Conformities:	  



You can find all information on the web on our article detail page

[Self-Clinching Stud M4x12.0 A2 Stainless Steel Passivated](#)



Would you like individual advice?

We look forward to your email to products@ettinger.de.

Subject to change and errors.