

Article datasheet

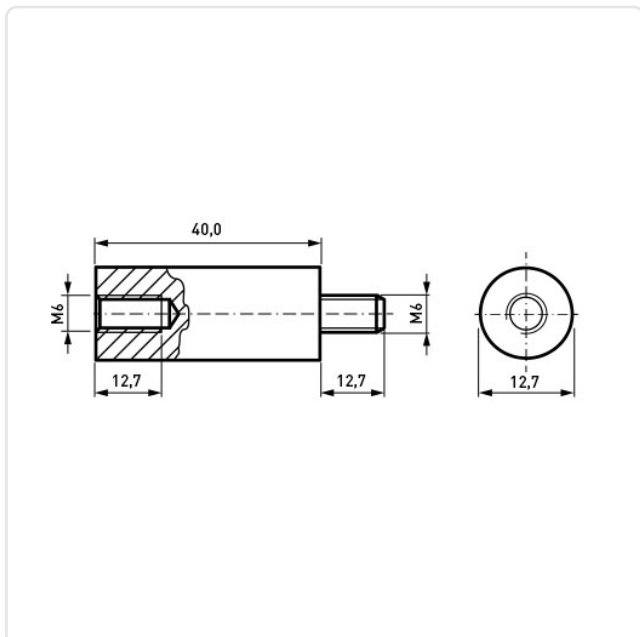
**Insulated Standoff PA-Brass M/F Ø12.7x40 | F=M6x12.7 M=M6x12.7**

Article-No.: 005.49.640



Image may be similar

AF / OD [mm]:	12.7
Female Thread Length [mm]:	12.7
Female Thread Size:	M6
Flammability Class:	UL94-HB
Length [mm]:	40
Male Thread Length [mm]:	12.7
Male Thread Size:	M6
Material:	PA 6.6
Material Group:	Plastic
Profile:	Round
Thread Insert Material:	Brass
Weight:	12.94g
Conformities:	



You can find all information on the web on our article detail page

[Insulated Standoff PA-Brass M/F Ø12.7x40 | F=M6x12.7 M=M6x12.7](#)

Would you like individual advice?

We look forward to your email to [products@ettinger.de](mailto:products@ettinger.de).

Subject to change and errors.