

Article datasheet

## Solder Terminal Pin $\varnothing 1.0 \times 3.0 \text{mm}$ Brass gold-plated

Article-No.: 013.70.334

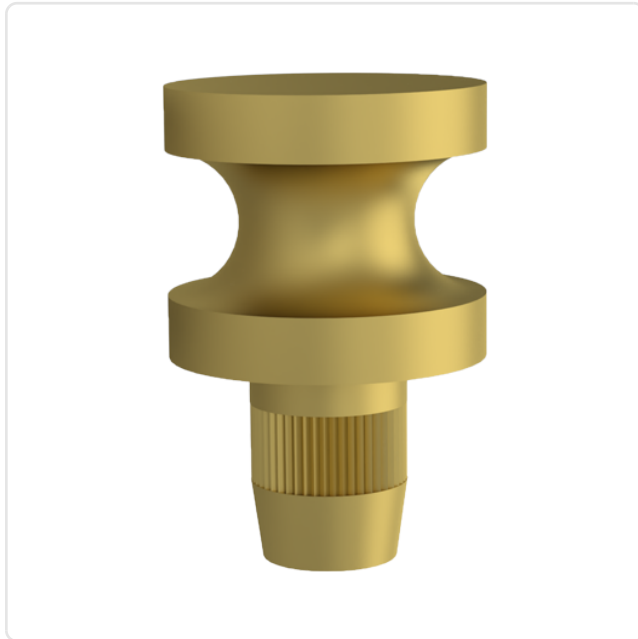


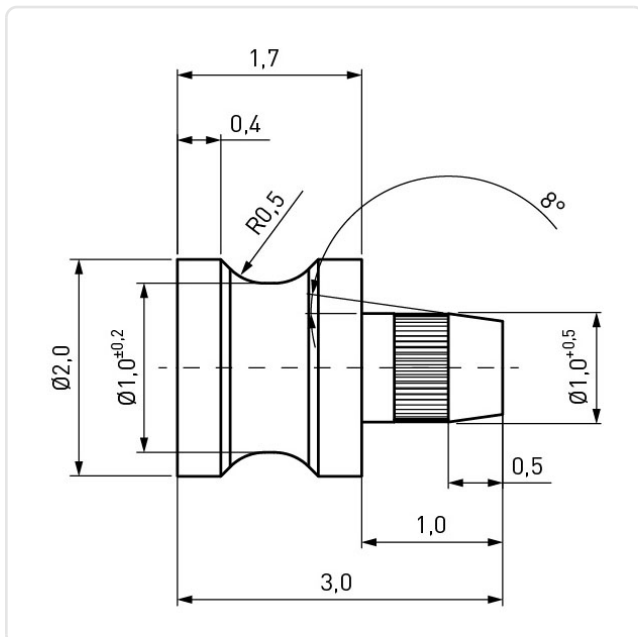
Image may be similar

Diameter [mm]: 1  
 Finish: Gold-Plated  
 Length [mm]: 3  
 Material: Brass lead-free  
 PCB Hole  $\varnothing$  [mm]: 1  
 Weight: 0.04g  
 Conformities:



You can find all information on the web on our article detail page

[Solder Terminal Pin  \$\varnothing 1.0 \times 3.0 \text{mm}\$  Brass gold-plated](#)



Would you like individual advice?

We look forward to your email to [products@ettinger.de](mailto:products@ettinger.de).

Subject to change and errors.