

Article datasheet

Continuous Grommet Strip 0.7-0.9mm Polyamide 6 black UL94-HB E36632

Article-No.: 014.90.600



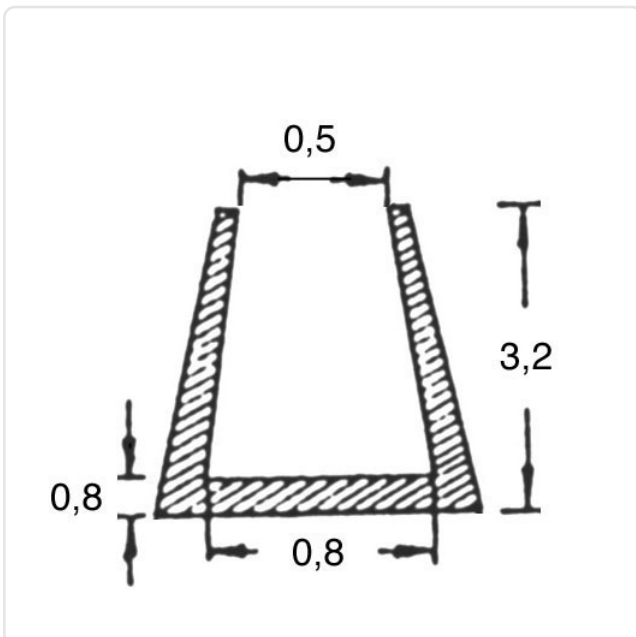
Image may be similar

Application Thicken. [mm]: 0.8
 Color: Black
 Flammability Class: UL94-HB
 Height [mm]: 3.2
 Material: PA 6.0
 Material Group: Plastic
 Model: Smooth
 Panel Thickness [mm]: max. 0,9
 Reel Length [m]: 30.3
 Conformities:



You can find all information on the web on our article detail page

[Continuous Grommet Strip 0.7-0.9mm Polyamide 6 black UL94-HB E36632](#)



Would you like individual advice?

We look forward to your email to products@ettinger.de.

Subject to change and errors.