

Article datasheet

Micro Jack $\varnothing 1.33 \times 11.5\text{mm}$ Brass gold plated

Article-No.: 012.16.374



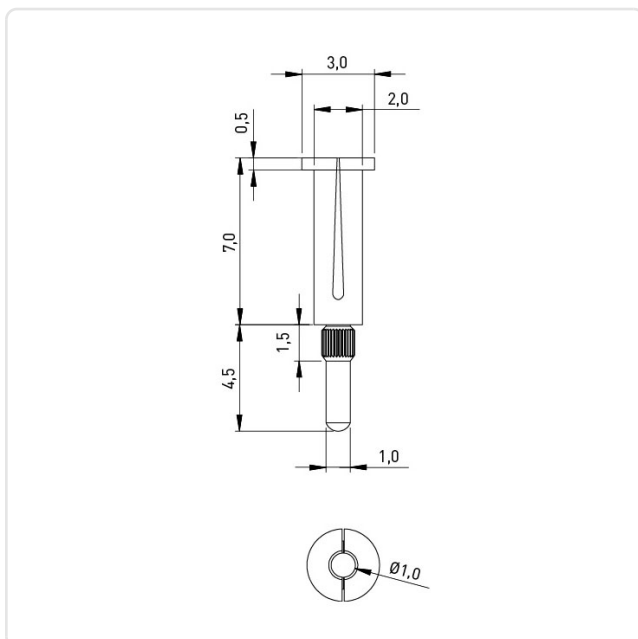
Image may be similar

Diameter [mm]: 1.3
 Finish: Gold-Plated
 Length [mm]: 11.5
 Material: Messing
 PCB Hole \varnothing [mm]: 1.3
 Weight: 0.19g
 Conformities:



You can find all information on the web on our article detail page

[Micro Jack \$\varnothing 1.33 \times 11.5\text{mm}\$ Brass gold plated](#)



Would you like individual advice?

We look forward to your email to products@ettinger.de.

Subject to change and errors.