

Article datasheet

## Pan Head Screw ISO14583 M6x10 Stainless Steel A2 Hexalobular

Article-No.: 001.51.649

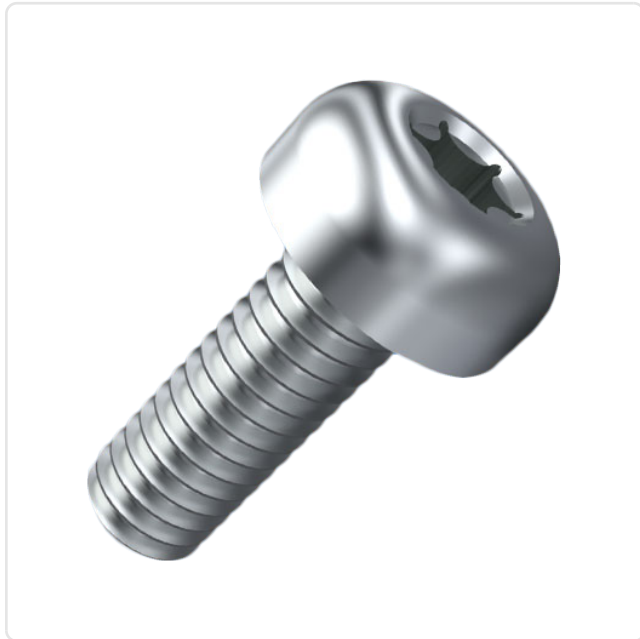
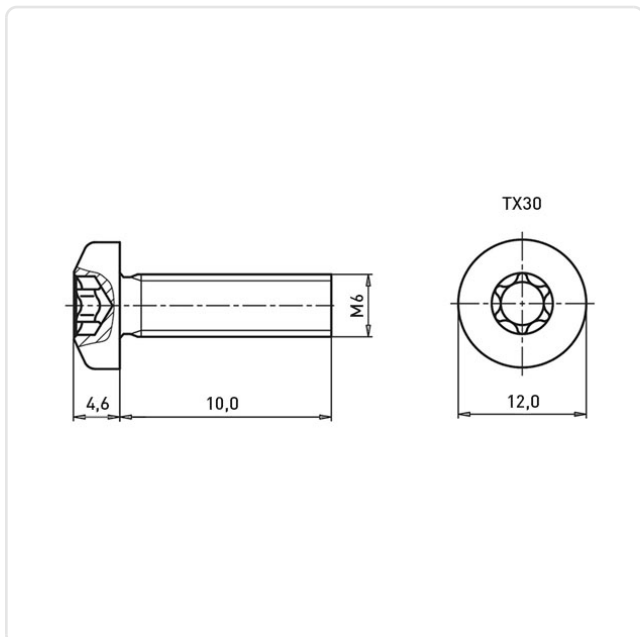


Image may be similar

Actuator Size:	Torx T30
DIN/ISO:	ISO14583
Drive Type:	TORX
Finish:	Plain
Head Diameter [mm]:	12
Head Height [mm]:	4.6
Head Shape:	Pan Head
Length [mm]:	10
Material:	Stainless Steel AISI 316 / A4
Material Group:	Stahl rostfrei
Thread Size:	M6
Weight:	4.73g
Conformities:	



You can find all information on the web on our article detail page  
[Pan Head Screw ISO14583 M6x10 Stainless Steel A2 Hexalobular](#)

Would you like individual advice?

We look forward to your email to [products@ettinger.de](mailto:products@ettinger.de).

Subject to change and errors.