

Article datasheet

Weld Nut DIN929 M3 Plain Steel Hexagon

Article-No.: 002.31.031

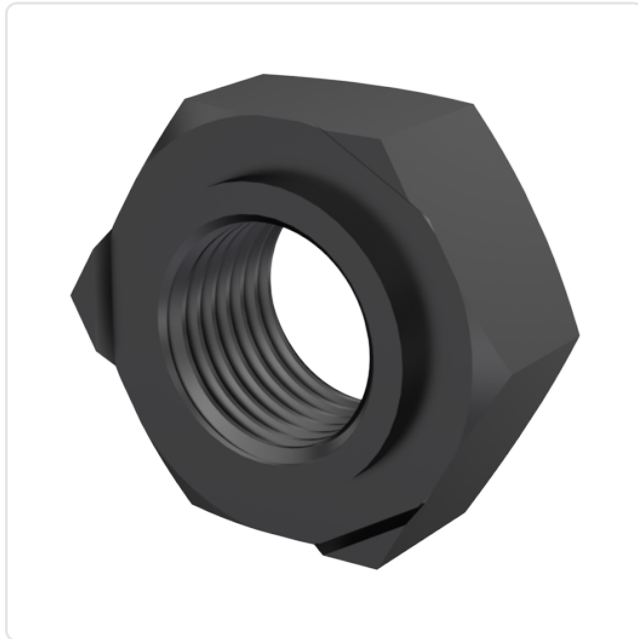


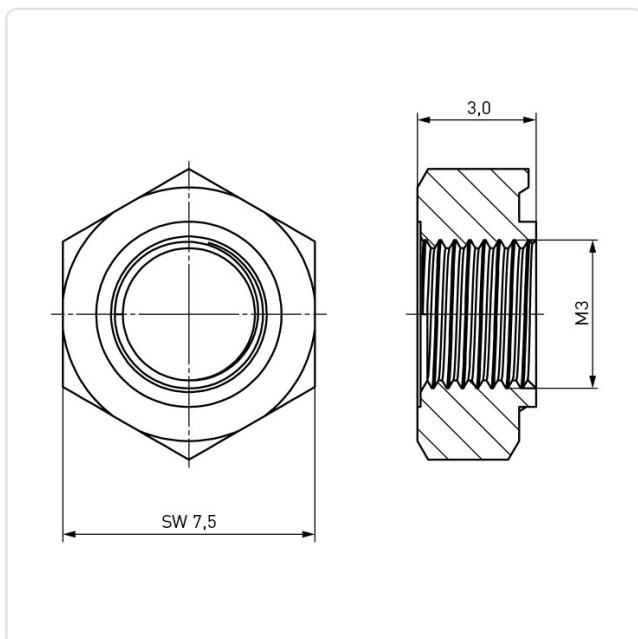
Image may be similar

AF / OD [mm]: 7.5
DIN/ISO: DIN929
Finish: Plain
Height [mm]: 3
Material: Steel
Material Group: Steel
Thread Size: M3
Weight: 0.75g
Conformities:



You can find all information on the web on our article detail page

[Weld Nut DIN929 M3 Plain Steel Hexagon](#)



Would you like individual advice?

We look forward to your email to products@ettinger.de.

Subject to change and errors.