

Article datasheet

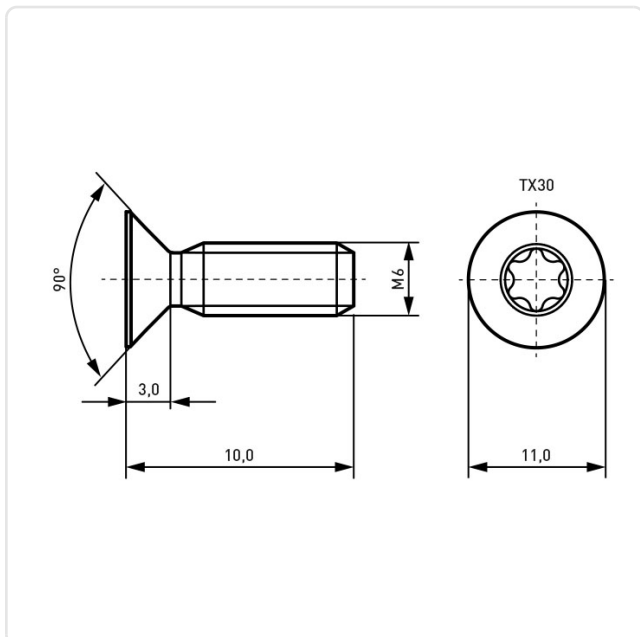
Countersunk Screw ISO14581 M6x10 A4 Plain Stainless Steel Torx

Article-No.: 001.55.649



Image may be similar

Actuator Size:	Torx T30
DIN/ISO:	ISO7046
Drive Type:	TORX
Finish:	Plain
Head Diameter [mm]:	11
Head Height [mm]:	3
Head Shape:	Countersunk Head
Length [mm]:	10
Material:	Stainless Steel AISI 316 / A4
Material Group:	Stahl rostfrei
Thread Size:	M6
Weight:	2.3g
Conformities:	<div style="display: flex; gap: 10px;"> <div style="border: 1px solid green; padding: 2px; font-size: 8px;">Reach COMPLIANT</div> <div style="border: 1px solid green; padding: 2px; font-size: 8px;">RoHS COMPLIANT</div> </div>



You can find all information on the web on our article detail page

[Countersunk Screw ISO14581 M6x10 A4 Plain Stainless Steel Torx](#)

Would you like individual advice?

We look forward to your email to products@ettinger.de.

Subject to change and errors.