

Article datasheet

## Pan Head Screw ISO14583 M3x8 Stainless Steel A2 Hexalobular

Article-No.: 001.51.332

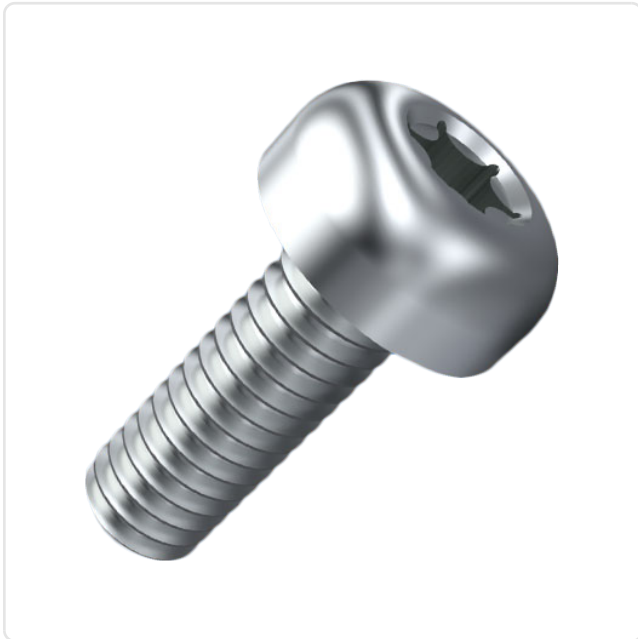
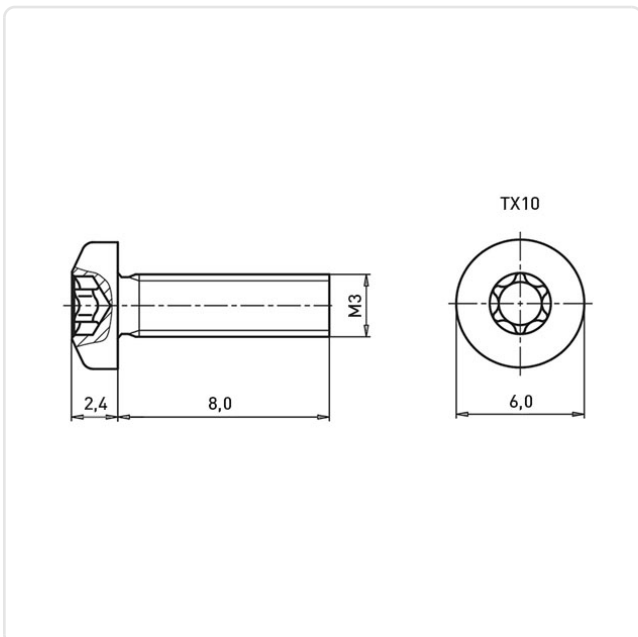


Image may be similar

Actuator Size:	Torx T10
DIN/ISO:	ISO7045
Drive Type:	TORX
Finish:	Plain
Head Diameter [mm]:	6
Head Height [mm]:	2.4
Head Shape:	Pan Head
Length [mm]:	8
Material:	Stainless Steel AISI 304 / A2
Material Group:	NULL
Thread Size:	M3
Weight:	0.72g
Conformities:	



You can find all information on the web on our article detail page

[Pan Head Screw ISO14583 M3x8 Stainless Steel A2 Hexalobular](#)

Would you like individual advice?

We look forward to your email to [products@ettinger.de](mailto:products@ettinger.de).

Subject to change and errors.