

Article datasheet

## Solderless Terminal DIN 46237-C M4 Polyamid blue 1.5.2.5mm<sup>2</sup> AWG16-14

Article-No.: 018.38.446



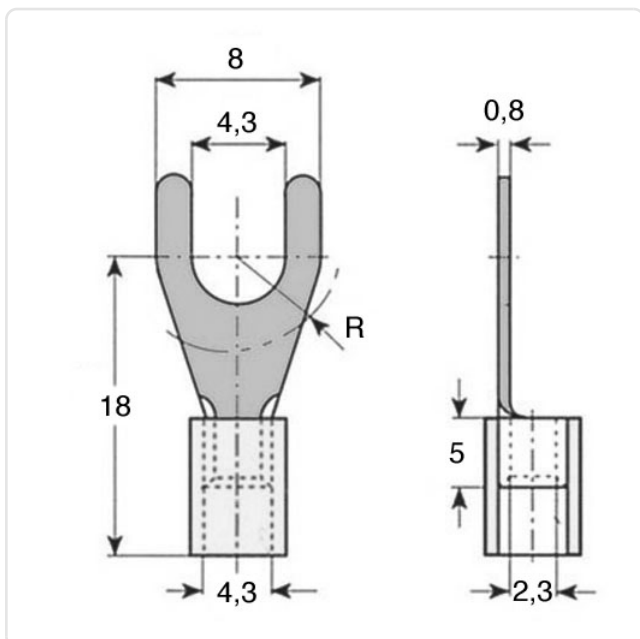
Image may be similar

Color:	Blue
DIN/ISO:	DIN46237-C
Finish:	Tin-Plated
For Thread Size:	M4
Insulation:	Polyamide
Material:	Electrolytic Copper
Material Group:	Electrolytic Copper
Outer Diameter [mm]:	8
Wire Cross Section [mm <sup>2</sup> ]:	1.5-2.5
Weight:	0.88g
Conformities:	<div style="display: flex; align-items: center; gap: 10px;"> <div style="border: 1px solid green; padding: 2px; font-size: 8px;">Reach COMPLIANT</div> <div style="border: 1px solid green; padding: 2px; font-size: 8px;">RoHS COMPLIANT</div> </div>



You can find all information on the web on our article detail page

[Solderless Terminal DIN 46237-C M4 Polyamid blue 1.5.2.5mm<sup>2</sup> AWG16-14](#)



Would you like individual advice?

We look forward to your email to [products@ettinger.de](mailto:products@ettinger.de).

Subject to change and errors.