



Article datasheet

## Solder Eyelet DIN 41496 2x9B1 Brass silver-plated 45°angled

Article-No.: 019.05.829



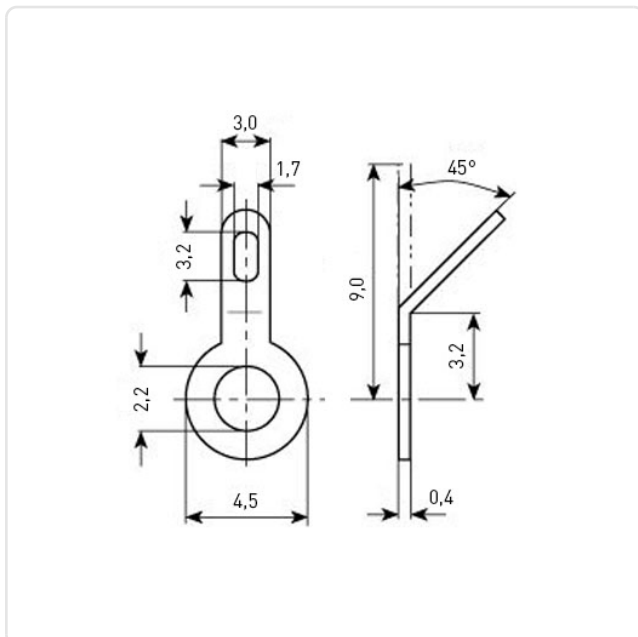
Image may be similar

Bending Angle [°]:	45
DIN/ISO:	DIN41496
Finish:	Silver-Plated
Inner Diameter [mm]:	2.2
Length [mm]:	9
Material:	Brass CW508L / CuZn37, lead-free
Material Group:	Brass
Outer Diameter [mm]:	4.5
Weight:	0.08g
Conformities:	 



You can find all information on the web on our article detail page

[Solder Eyelet DIN 41496 2x9B1 Brass silver-plated 45°angled](#)



Would you like individual advice?

We look forward to your email to [products@ettinger.de](mailto:products@ettinger.de).

Subject to change and errors.