

Article datasheet

## Combination Nut M6 Galvanized Steel 8 Toothed Lock Washer

Article-No.: 002.29.661

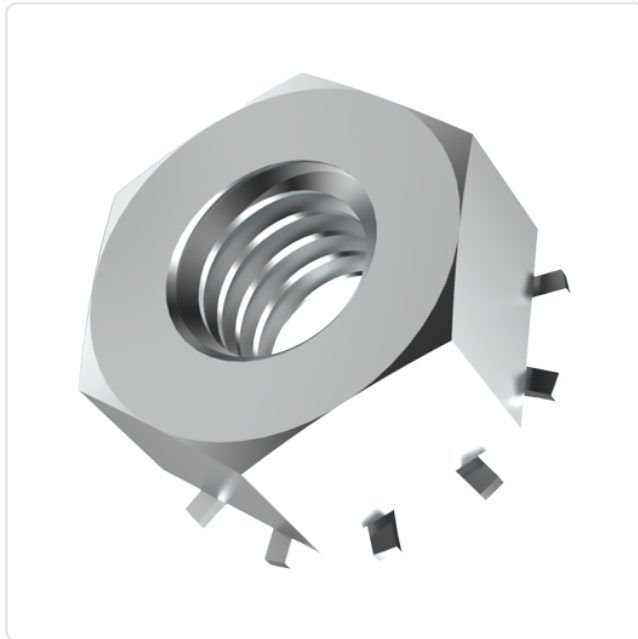


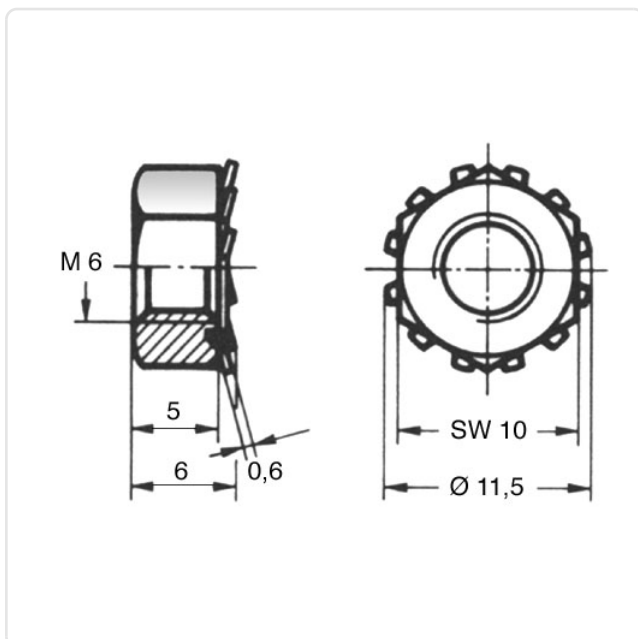
Image may be similar

AF / OD [mm]: 10  
 Finish: Galvanized, Blue, 5 µm, A2K  
 Height [mm]: 6  
 Material: Steel - Grade 8, lead-free  
 Thread Size: M6  
 Weight: 2.44g  
 Conformities:



You can find all information on the web on our article detail page

[Combination Nut M6 Galvanized Steel 8 Toothed Lock Washer](#)



Would you like individual advice?

We look forward to your email to [products@ettinger.de](mailto:products@ettinger.de).

Subject to change and errors.