

Article datasheet

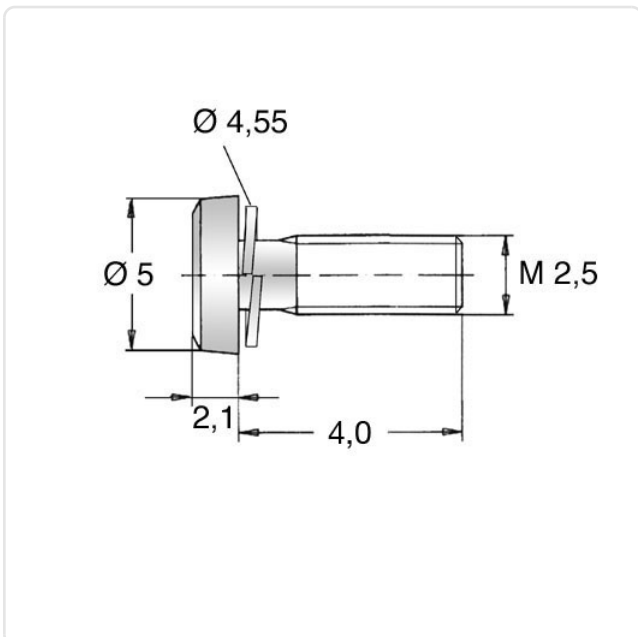
SEMS Screw ISO7045 PH Z4 M2.5x4 Galv. Steel 4.8 Spring Lock Washer

Article-No.: 081.57.202



Image may be similar

Actuator Size:	Phillips PH1
Combination:	Spring Lock Washer DIN6905
DIN/ISO:	ISO7045
Drive Type:	Cross Recess / Phillips-H
Finish:	Galvanized, Blue, 5 µm, A2K
Head Diameter [mm]:	5
Head Height [mm]:	2
Head Shape:	Pan Head
Length [mm]:	4
Material:	Steel 4.8, lead-free
Material Group:	Steel
Thread Size:	M2.5
Weight:	0.37g
Conformities:	



You can find all information on the web on our article detail page

[SEMS Screw ISO7045 PH Z4 M2.5x4 Galv. Steel 4.8 Spring Lock Washer](#)

Would you like individual advice?

We look forward to your email to products@ettinger.de.

Subject to change and errors.