

Article datasheet

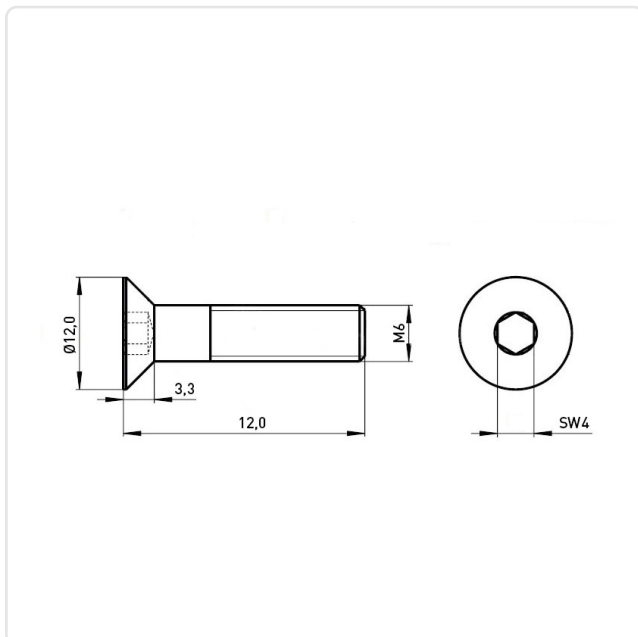
Countersunk Screw ISO10642 M6x12 Galvanized Steel 10.9 Hexagon Socket

Article-No.: 001.19.651



Image may be similar

Actuator Size:	Hexagon Socket Hex4
DIN/ISO:	ISO10642
Drive Type:	Hexagon Socket
Finish:	Galvanized, Blue, 5 µm, A2K
Head Diameter [mm]:	13.44
Head Height [mm]:	3.72
Head Shape:	Countersunk Head
Length [mm]:	12
Material:	Steel 10.9
Material Group:	Stahl
Thread Size:	M6
Weight:	2.8g
Conformities:	



You can find all information on the web on our article detail page

[Countersunk Screw ISO10642 M6x12 Galvanized Steel 10.9 Hexagon Socket](#)

Would you like individual advice?

We look forward to your email to products@ettinger.de.

Subject to change and errors.