

Article datasheet

Pan Head Screw ISO1580 M2.5x10 Steel 4.8 Zinc Plated Slotted

Article-No.: 001.15.241



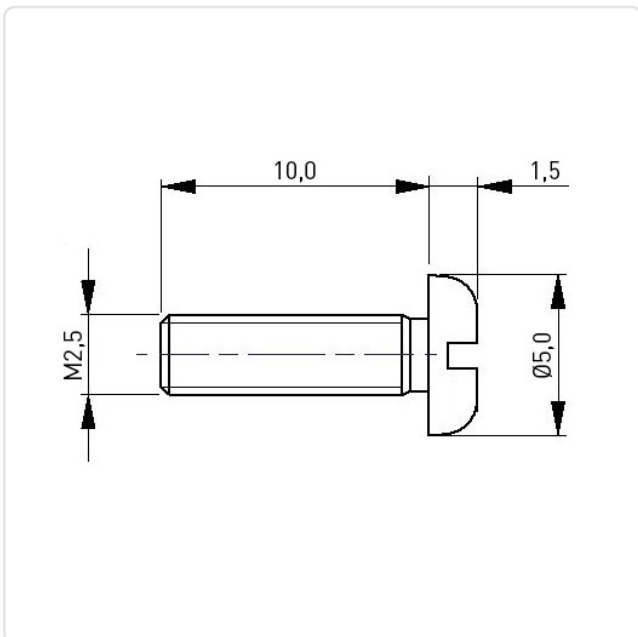
Image may be similar

DIN/ISO:	ISO1580
Drive Type:	Slotted
Finish:	Galvanized, Blue, 5 µm, A2K
Head Diameter [mm]:	4.5
Head Height [mm]:	1.6
Head Shape:	Pan Head
Length [mm]:	10
Material:	Steel 4.8
Material Group:	Stahl
Thread Size:	M2.5
Weight:	0.45g
Conformities:	



You can find all information on the web on our article detail page

[Pan Head Screw ISO1580 M2.5x10 Steel 4.8 Zinc Plated Slotted](#)



Would you like individual advice?

We look forward to your email to products@ettinger.de.

Subject to change and errors.