

Article datasheet

## Insulating Tube Ø3.0 | 0.6 CR black | 100m reel

Article-No.: 014.78.600

Manufacturer: SES-Sterling

Manufacturer article-no.: 0210 0004 010



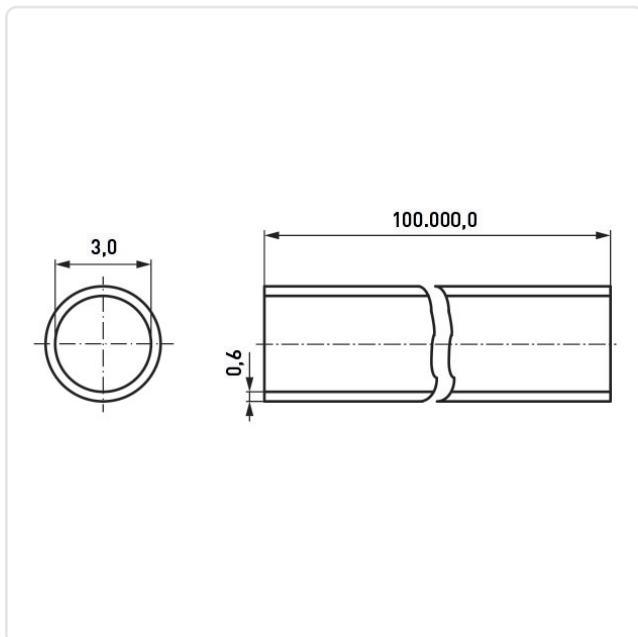
Image may be similar

Bundle Diameter [mm]: 3,0-6,0  
 Color: Black  
 Flammability Class: UL94-V0  
 Inner Diameter [mm]: 3  
 Material: CR - Polychloroprene  
 Material Group: Plastic  
 Reel Length [m]: 100  
 Temperature Range [°C]: -30 °C to +90 °C  
 Wall Thickness [mm]: 0,6  
 Weight: 1100g  
 Conformities:



You can find all information on the web on our article detail page

[Insulating Tube Ø3.0 | 0.6 CR black | 100m reel](#)



Would you like individual advice?

We look forward to your email to [products@ettinger.de](mailto:products@ettinger.de).

Subject to change and errors.