

Article datasheet

## Tapping Screw DIN7981C Ø3.5x9.5 Plain Steel A2 Cross Recess Pan Head

Article-No.: 001.27.249

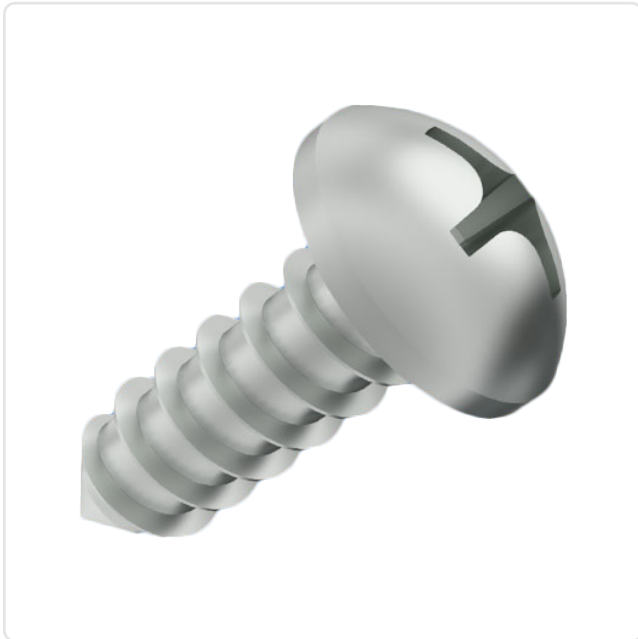
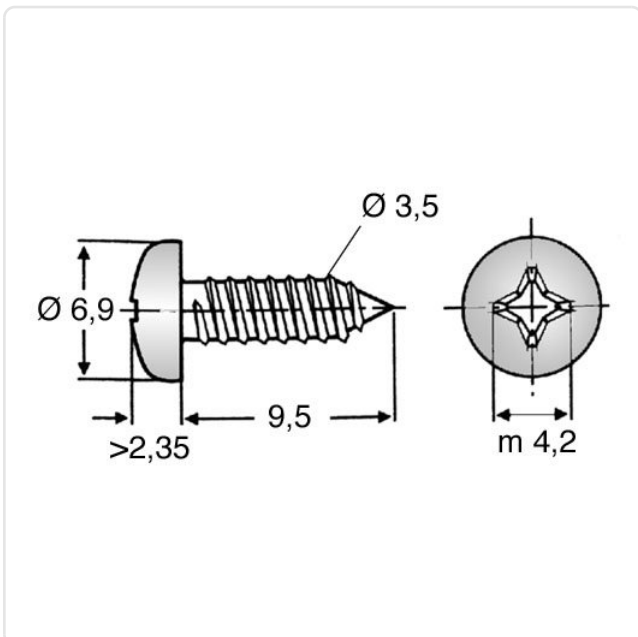


Image may be similar

Actuator Size:	Phillips PH2
DIN/ISO:	ISO7049
Drive Type:	Cross Recess / Phillips-H
Finish:	Plain
Head Diameter [mm]:	6.9
Head Height [mm]:	2.6
Head Shape:	Pan Head
Length [mm]:	9.5
Material:	Stainless Steel AISI 304 / A2
Material Group:	Stahl rostfrei
Thread Diameter [mm]:	Ø 3.5
Weight:	0.86g
Conformities:	



You can find all information on the web on our article detail page

[Tapping Screw DIN7981C Ø3.5x9.5 Plain Steel A2 Cross Recess Pan Head](#)

Would you like individual advice?

We look forward to your email to [products@ettinger.de](mailto:products@ettinger.de).

Subject to change and errors.