

Article datasheet

**Knurled Nut DIN467 M4 Polyamide 6.6 white**

Article-No.: 002.18.149



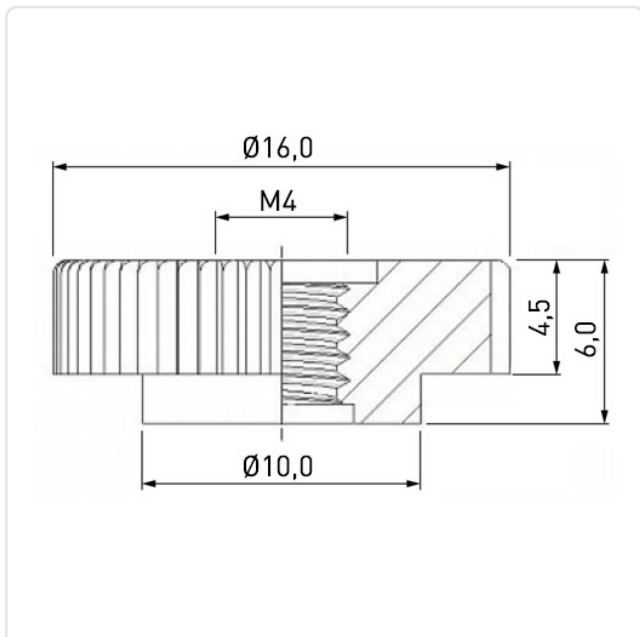
Image may be similar

AF / OD [mm]: 16  
Color: White  
DIN/ISO: DIN467  
Height [mm]: 6  
Material: PA 6.6  
Material Group: Plastic  
Thread Size: M4  
Weight: 0.92g  
Conformities:



You can find all information on the web on our article detail page

[Knurled Nut DIN467 M4 Polyamide 6.6 white](#)



Would you like individual advice?

We look forward to your email to [products@ettinger.de](mailto:products@ettinger.de).

Subject to change and errors.