

Article datasheet

## Hexagon Head Bolt ISO4014 M10x45 Steel 8.8 Zinc Plated

Article-No.: 082.95.991



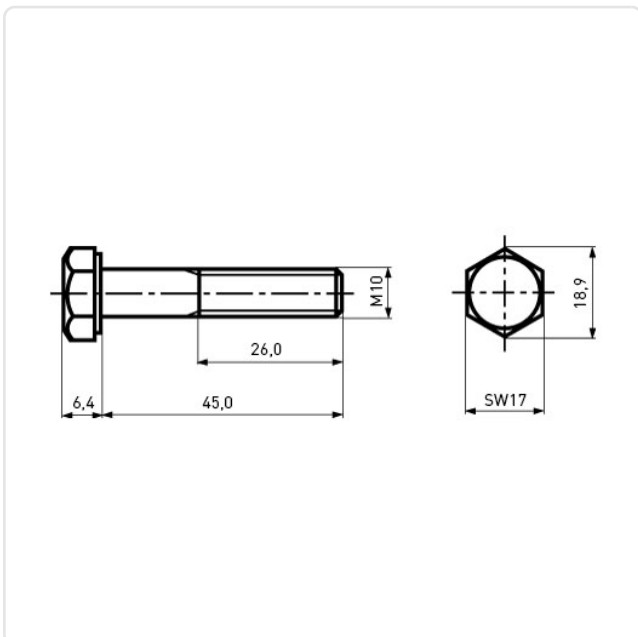
Image may be similar

Actuator Size:	Hexagon Hex17
DIN/ISO:	ISO4014
Drive Type:	Hexagon
Finish:	Galvanized, Blue, 5 µm, A2K
Head Diameter [mm]:	17
Head Height [mm]:	6.4
Head Shape:	Hexagon Head
Length [mm]:	45
Material:	Steel 8.8
Material Group:	Stahl
Thread Size:	M10
Conformities:	



You can find all information on the web on our article detail page

[Hexagon Head Bolt ISO4014 M10x45 Steel 8.8 Zinc Plated](#)



Would you like individual advice?

We look forward to your email to [products@ettinger.de](mailto:products@ettinger.de).

Subject to change and errors.